

CT 22 E HEPA

CT 33 E HEPA



## **Instruction manual**

Page 4 - 9

**IMPORTANT:** *Read and understand all instructions before using.*

## **Guide d'utilisation**

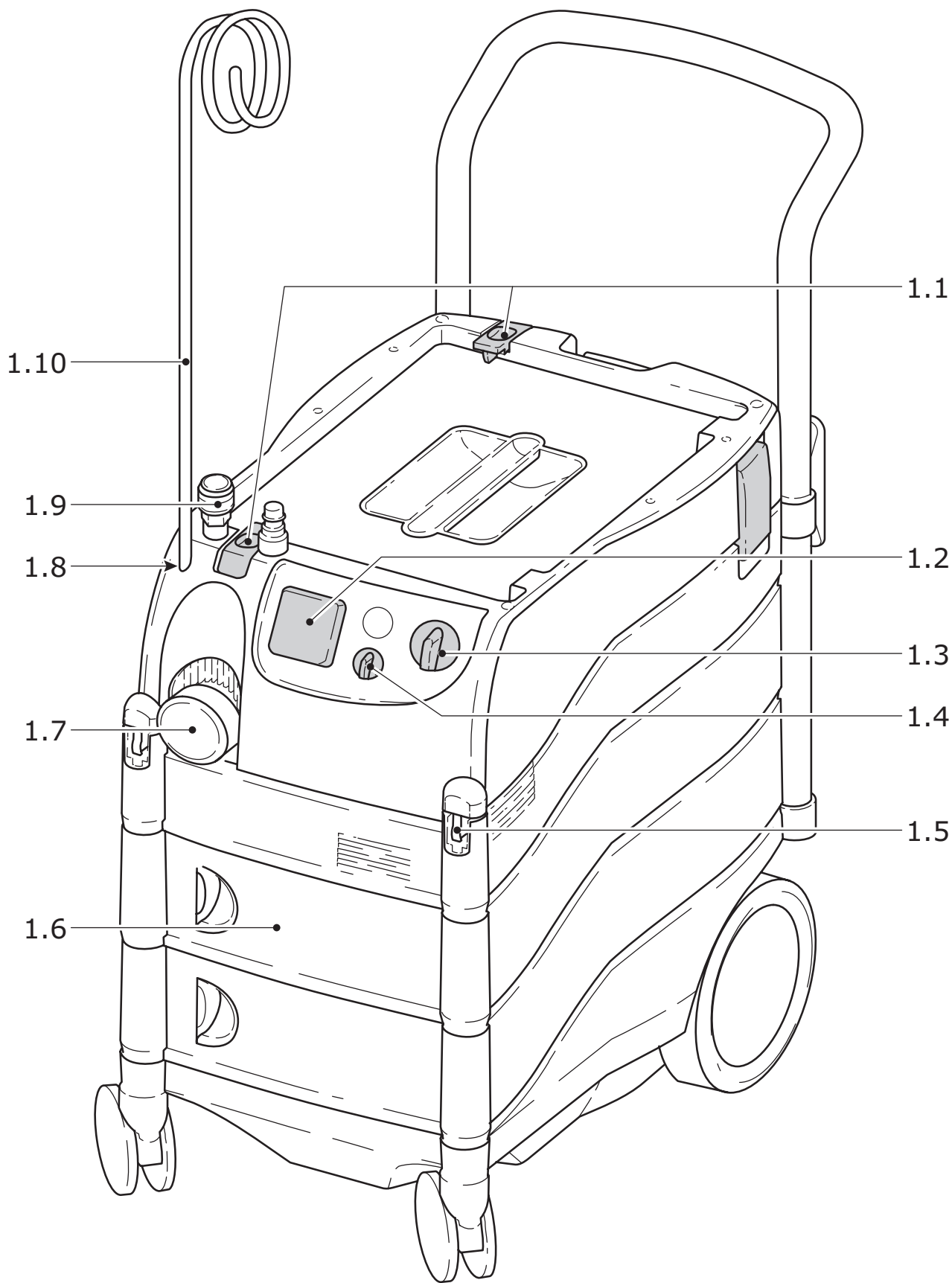
Page 10 - 16

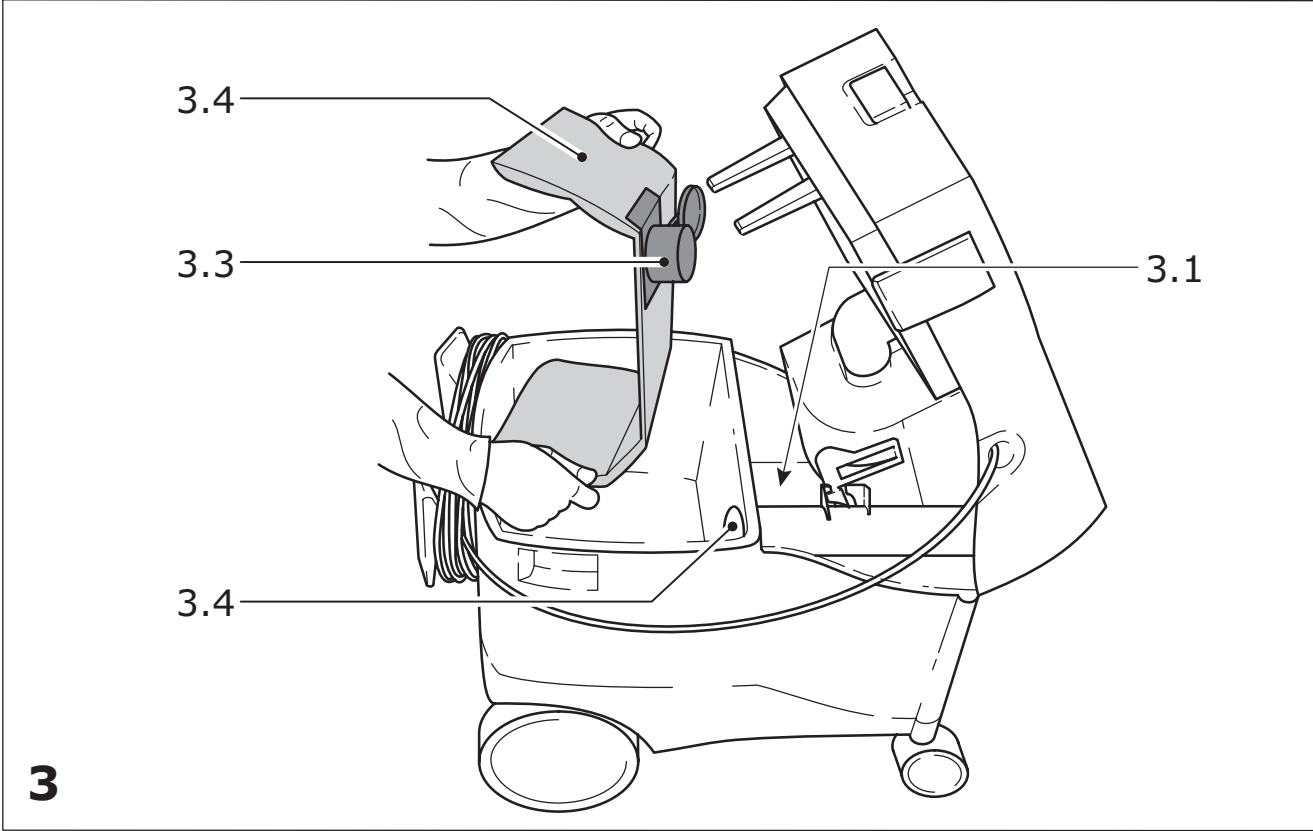
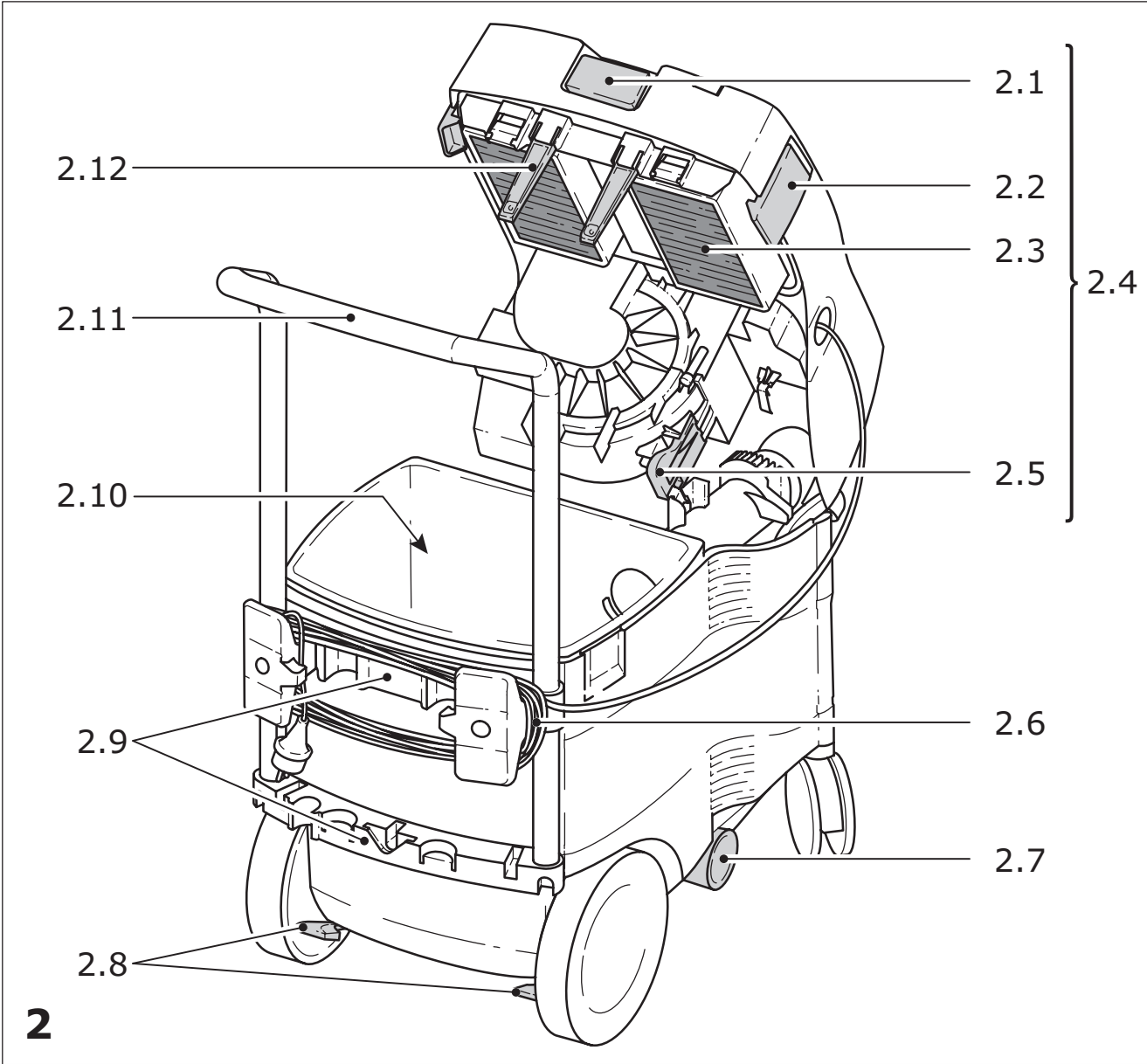
**IMPORTANT:** *Lire et comprendre toutes les instructions avant de démarrer les travaux.*

## **Manual de instrucciones**

Página 17 - 23

**IMPORTANTE:** *Lea y comprende todas las instrucciones antes de usar.*





## Contents

<b>Safety Rules</b> .....	<b>4</b>
<b>Technical data</b> .....	<b>6</b>
<b>Symbols</b> .....	<b>6</b>
<b>Intended use</b> .....	<b>6</b>
<b>Connections</b> .....	<b>6</b>
Electrical connection .....	7
Connecting the suction hose .....	7
Connecting an electric tool .....	7
Connecting pneumatic tools .....	7
<b>Equipment</b> .....	<b>7</b>
<b>Operation</b> .....	<b>7</b>
On/off switch .....	7
Suction force regulator .....	7
Opening/closing the vacuum cleaner .....	7
Emptying the dirt container .....	7
<b>Application</b> .....	<b>8</b>
Vacuuming dry materials .....	8
Vacuuming liquids .....	8
<b>Filter</b> .....	<b>8</b>
Changing the filter .....	8
Cleaning the filter element .....	8
<b>After finishing work</b> .....	<b>8</b>
<b>Maintenance and care</b> .....	<b>8</b>
<b>Accessories, filter</b> .....	<b>9</b>
<b>Warranty</b> .....	<b>9</b>

## Safety Rules

**⚠WARNING** Read and understand all instructions. Failure to follow all instructions listed below, may result in electric shock, fire and/or serious personal injury.

### SAVE THESE INSTRUCTIONS

## General Safety Rules

### Work Area

**Keep your work area clean and well lit.** Cluttered and dark areas invite accidents.

**Do not operate vacuum cleaners in explosive atmospheres, such as in the presence of flammable liquids, gases, or dust.** Appliances create sparks, which may ignite the dust or fumes.

**Keep bystanders, children, and visitors away while operating the vacuum cleaner.** Do not allow to be used as a toy. Close attention is necessary when used by or near children.

## Electrical Safety

This vacuum cleaner intended only for use indoor and for dry or wet pick-up.

**The power tool outlet is grounded and the vacuum cleaner must be plugged into an outlet properly installed and grounded in accordance with all codes and ordinances. Never remove the grounding prong or modify the plug in any way. Do not use any adapter plugs. Check with a qualified electrician if you are in doubt as to whether the outlet is properly grounded.** If the vacuum cleaners should electrically malfunction or break down, grounding provides a low resistance path to carry electricity away from the user.

**Do not insert objects like paper clips or screwdrivers into power tool outlet.** The outlet is live when the vacuum cleaner is plugged into power source and switch is set to power tool activation mode or filter cleaning mode. Electric shock may occur.

**Avoid body contact with grounded surfaces such as pipes, radiators, ranges and refrigerators.** There is an increased risk of electric shock if your body is grounded. If operating the vacuum cleaner in damp locations is unavoidable; a Ground Fault Circuit Interrupter must be used to supply the power to your vacuum cleaner. Electrician's rubber gloves and footwear will further enhance your personal safety.

**Don't expose vacuum cleaner to rain or wet conditions.** This vacuum cleaner can be used for picking up non-flammable liquids but it is not intended to be immersed or submerged in a fluid. Electric shock may occur.

**Do not handle plug or appliance with wet hands.** Electric shock may occur.

**Do not abuse the cord. Never use the cord to carry the vacuum cleaner, pull the vacuum cleaner or yank the plug from an outlet. Keep cord away from heat, oil, sharp edges or moving parts. Replace damaged cords immediately. Don't drive over it or close a door on it.** Damaged cords increase the risk of electric shock.

**When operating a vacuum cleaner outside, use an outdoor extension cord marked "W-A" or "W".** These cords are rated for outdoor use and reduce the risk of electric shock. Refer to Recommended sizes of Extension Cords in the Accessory section of this manual.

## Personal Safety and Vacuum Cleaner Use

**Stay alert, watch what you are doing and use common sense when operating a vacuum cleaner.** Do not use vacuum cleaner while tired

or under the influence of drugs, alcohol, or medication. A moment of inattention while operating vacuum cleaner may result in serious personal injury.

**Avoid accidental starting. Be sure vacuum cleaner and tool switches are OFF before plugging in or putting vacuum cleaner switch into power tool activation mode or filter cleaning mode. Do not keep power tool plugged into the vacuum cleaner's power tool outlet during normal vacuuming.** Plugging in vacuum cleaners or tools that have the switch ON invites accidents.

**Do not overreach. Keep proper footing and balance both for you and the vacuum cleaner at all times. Use extra care when cleaning on stairs.** Proper footing and balance enables better control of the vacuum cleaner in unexpected situations.

**Do not vacuum burning, smoking or smoldering things like cigarettes, matches or hot ashes.** Fire inside the vacuum cleaner tank may occur.

**Do not use to vacuum flammable liquids, alcohol, gases, or explosive dusts, like gasoline or other fuels, lighter fluid, varnish, polyurethane coatings, cleaners, oil-based paints, natural gas, hydrogen, coal dust, magnesium dust, grain dust, or gun powder.** Electric motors create sparks which may ignite the dust or fumes.

**Dress properly. Do not wear loose clothing or jewelry. Contain long hair. Keep your hair, clothing, and gloves away from moving parts.** Loose clothes, jewelry, or long hair can be caught in moving parts, hose, and suction nozzles. Keep handles dry, clean and free from oil and grease.

**Do not hold the hose against any body parts during operation.**

**Use safety equipment. Always wear eye and hearing protection.** Dust mask, non-skid safety shoes, hard hat, or hearing protection must be used for appropriate conditions.

**Not suitable to vacuum hazardous or toxic substances or dusts e.g. asbestos.** The filters will not be able to capture all particles and may exhaust them back into the environment.

## Vacuum Cleaner Safety Rules

### Vacuum cleaner Care

**Do not use vacuum cleaner if switch does not turn it ON or OFF.** Any vacuum cleaner that cannot be controlled with the switch is dangerous and must be repaired.

**Disconnect the plug from the power source before making any adjustments, changing accessories, or storing the vacuum cleaner.** Such preventive safety measures reduce the risk of starting the vacuum cleaner accidentally.

**Never connect a tool with a rating greater than the maximum amperes listed on the receptacle.** This vacuum cleaner has a power tool outlet for use in conjunction with other appliances such as sanders, jigsaws and planers; tools with greater ratings may cause a fire.

**Do not vacuum dust when liquid/fluid is contained in the vacuum cleaner tank. Do not vacuum liquids/fluids when dust is in the tank.** In either case empty the tank and/or remove dust bag before use so that dust does not cake and harden inside the tank.

**Dry filters completely after wet vacuuming or use a second dry filter set for dust vacuuming.** Damp or wet filters will cake with dust or develop mold or mildew.

**Store idle vacuum cleaner out of reach of children and other untrained persons.** Vacuum cleaners are dangerous in the hands of untrained users.

**Maintain vacuum cleaner with care. Properly maintain vacuum cleaner to keep hose unobstructed. Do not put any object into openings. Do not use with any opening blocked; keep free of dust, lint, hair and anything that may reduce air flow.** Any alteration or modification is a misuse and may result in a dangerous condition.

**Check for misalignment or binding of moving parts, breakage of parts, and any other condition that may affect the vacuum cleaners operation. If damaged, have the vacuum cleaner serviced before using.** Poorly maintained vacuum cleaners cause many accidents. Develop a periodic maintenance schedule for your vacuum cleaner.

**Use only accessories that are recommended by the manufacturer for your model.** Accessories that may be suitable for one vacuum cleaner may become hazardous when used on another vacuum cleaner.

### Service

**Only qualified repair personnel must perform vacuum cleaner service.** Service or maintenance performed by unqualified personnel could result in a risk of injury. For example: internal wires may be misplaced or pinched, safety guard return springs may be improperly mounted.

**When servicing a vacuum cleaner, use only identical replacement parts. Follow instructions in the Maintenance section of this**

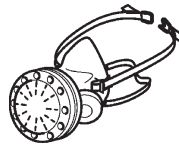
**manual.** Use of unauthorized parts or failure to follow the Maintenance Instructions may create a risk of electric shock or injury. Certain cleaning agents such as gasoline, carbon tetrachloride, ammonia, etc. may damage plastic parts.

**⚠ WARNING** Various dust created by power sanding, sawing, grinding, drilling and other construction activities contains chemicals known (to the State of California) to cause cancer, birth defects or other reproductive harm. Some examples of these chemicals are:

- lead from lead-based paints,

- crystalline silica from bricks and cement and other masonry products, and
- arsenic and chromium from chemically-treated lumber.

The risk from these exposures varies, depending on how often you do this type of work.



To reduce your exposure to these chemicals: work in a well ventilated area, and work with approved safety equipment, such as dust masks that are specially designed to filter out microscopic particles. Wash hands after handling.

## Technical data

Power consumption .....	350 - 1200 W
Connected load to appliance plug socket max. ....	1200 W
Total connected load max. ....	2400 W
Volume flow (air) max., turbine.....	228 m <sup>3</sup> /h (8.2 cu.ft./h)
Vacuum max., turbine.....	23000 Pa
Filter surface .....	14000 cm <sup>2</sup> (2170 sq.in.)
Suction hose, diameter x length .....	27 mm x 3.5 m (1.06 in. x 11.48 ft.)
Dimensions L x W x H:	
CT 22 E HEPA.....	625 x 380 x 440 mm (24.6 x 15 x 17.3 in.)
CT 33 E HEPA.....	625 x 380 x 550 mm (24.6 x 15 x 21.6 in.)
Container capacity:	
CT 22 E HEPA.....	22 l (5.7 gal.)
CT 33 E HEPA.....	33 l (8.6 gal.)
Weight:	
CT 22 E HEPA.....	12 kg (26.4 lbs)
CT 33 E HEPA.....	14.5 kg (32 lbs)
Power cable length .....	7.5 m (24.6 ft.)
Protection type .....	IP X4

The specified illustrations can be found at the beginning of the operating instructions.

## Symbols

V	volts
A	amperes
Hz	hertz
W	watt
~	alternating current
n <sub>0</sub>	no load speed
□	Class II Construction

## Intended use

The vacuum cleaner is designed for use as specified for the aspiration and evacuation of non-noxious dusts, dirt, sand, shavings etc..

The vacuum cleaner is designed as specified for vacuuming water.

The vacuum cleaner is designed in accordance with IEC 60335-1 and IEC 60335-2-69 for a higher loading in industrial use.

The filtering performance of the overall unit, which is fitted with a HEPA filter element (493334), corresponds to HEPA quality H 13 (medium degree of filtration 99.95 %).

All CT extractors fitted with the HEPA filter element (493334) have HEPA certification both for the filter material and the whole dust extractor.

**⚠ WARNING** The user is liable for damage and injury resulting from incorrect usage!

## Connections

### Before start-up:

The accessories are delivered in the container (2.10), and must be removed prior to initial operation.

## Electrical connection

The operating voltage and frequency shown on the specification plate must be the same as the mains power voltage (wall socket).

**⚠ WARNING** Make sure that the vacuum cleaner is switched off when you plug the power cable in.

### The antistatic system (AS)

Friction in the suction hose causes electrostatic charges which can result in unpleasant electric shocks for the operator. In order to conduct these static charges to earth, the extraction units are provided with an antistatic system as a standard feature. However, antistatic hoses and accessories have to be used in this case.

The antistatic function will only work if the plug is plugged into a totally earthed socket.

### Temperature control

A temperature fuse switches the dust extractor off before this reaches a critical temperature to protect against overheating - switch dust extractor off and leave for around 5 minutes to cool down.

If the dust extractor still cannot be switched back on, please consult a Festool-service centre.

## Connecting the suction hose

Connect the suction hose at the extraction opening (1.7).

## Connecting an electric tool

Observe the maximum connected load on the appliance plug socket (see "Technical Data")!

**⚠ WARNING** Make sure that the electric tool is switched off when plugging it in and unplugging it.

Connect the electric tool to the appliance plug socket (1.2).

## Connecting pneumatic tools

**⚠ WARNING** Make sure that the pneumatic tool is switched off when plugging it in and unplugging it.

When the compressed-air module (1.9) (452829) is fitted, the automatic cut-in of the appliance also operates in conjunction with compressed-air tools.

We also recommend fitting of the VE supply unit (452797). The supply unit filters and oils the compressed air and allows the air pressure to be regulated.

An IAS connecting piece (454757) is available for connecting Festool compressed-air tools with the IAS system.

To ensure trouble-free functioning of the automatic cut-in, the operating pressure of the tool must be 6 bar.

## Equipment

- Tools or accessories can be stowed in the storage compartments (1.6, not with CT 22 E HEPA).
- A systainer can be fixed on the shelf with the two clamps (1.1).
- An air blast is obtained by inserting a suction hose in the blast opening (2.7).
- Stand / Brake: the wheels can be blocked by the brakes (2.8), thus preventing the vacuum cleaner from rolling away unexpectedly.

## Operation

### On/off switch

In position O (1.3) the vacuum cleaner is switched off and the appliance plug socket (1.2) is dead.

Two modes of operation are possible:

#### a) Switch position „MAN“

The appliance plug socket is dead.

The cleaner motor starts immediately.

#### b) Switch position „Auto“

**⚠ WARNING** Before turning the switch to the „Auto“ position, ensure that the tool connected to the appliance plug socket is switched off.

The appliance plug socket is live.

The cleaner motor starts only when the tool connected to the appliance plug socket is switched on.

## Suction force regulator

The suction force regulator (1.4) can be used to vary the suction capacity. This permits a precise adaptation to different substances to be picked up.

## Opening/closing the vacuum cleaner

- Open retaining clamps (2.2) ,
- Raise upper part (2.4) until support catch (2.5) engages.

Follow the reverse order to close the appliance. You must raise the upper part slightly before depressing or disengaging the support.

## Emptying the dirt container

**⚠ CAUTION** Always remove the upper part of the vacuum cleaner before emptying the dirt container (2.10)!

- Open the vacuum cleaner,
- Raise the upper part slightly, depress the support (2.5),
- Raise the upper part to the stop (vertical position),

- Remove the upper part by moving it forwards horizontally,
- Empty the dirt container,
- Replace the upper part. **⚠CAUTION** Make sure that both upper-part pins are fully inserted in the recesses (1.5)!
- Close the vacuum cleaner.

## Application

### Vacuuming dry materials

Before using the vacuum cleaner to evacuate dry substances, a filter bag must always be inserted in the container. Then the evacuated material can be disposed of easily.

The filter element becomes damp after evacuating liquids. A damp filter element suffers more wear and tear if it is used for dry materials. Accordingly, the filter element should be dried or replaced with a dry one before dry operation.

### Vacuuming liquids

**⚠WARNING** Do not evacuate combustible liquids!

**⚠WARNING** If foam or liquid escapes, stop work immediately and empty the dirt container.

**⚠CAUTION** The HEPA filter element shall only be used for extracting dry materials.

The filter bag has to be removed before evacuating liquids. We recommend use of a special wet filter (452924).

When the maximum filling level is reached, a bag-full indicator (2.12) automatically interrupts extraction.

## Filter

### Changing the filter

**⚠WARNING** During the following procedure, take care not to raise dust more than is unavoidable. Moisten the filter element with a water spray before removing it.

Check the fill level of the filter bag at regular intervals. A full filter bag shall be replaced immediately.

Check the filter element for damage every time the filter bag is changed. Replace damaged filter elements immediately.

Always insert a filter bag when using a HEPA filter element.

### Changing the filter bag (3.4)

Order no.:

CTL 22 E: 452970

CTL 33 E: 452971

- Open the vacuum cleaner,

- Remove the used filter bag (see printed text on filter bag),
- Dispose of the used filter bag in accordance with statutory requirements,
- Thoroughly clean the dirt container (2.10) and the space (3.1) for suction turbine (wipe down with a damp cloth),
- Insert new filter bag (see printed text on filter bag). **⚠CAUTION** Press the filter bag sleeve (3.3) firmly onto the dust extraction fitting (3.2)!
- Close the vacuum cleaner.

### Changing the filter element (2.3)

Order no. (CT 22 E, CT 33 E):

Standard filter element: 452923

HEPA filter element: 493334

Do not operate machine without a filter element. This may damage the motor.

- Open the vacuum cleaner,
- Remove the used filter element (see printed text on the filter element packaging),
- Dispose of the used filter element in a sealed, dust-tight bag in accordance with statutory requirements,
- Thoroughly clean dirt container (2.10) and space (3.1) for the suction turbine (wipe down with a damp cloth),
- Fit a new filter element (see printed text on the filter element packaging),
- Close vacuum cleaner.

### Cleaning the filter element

To clean, move the handle (2.1) to and fro about 10 times. **N.B.:** You need to clean the filter element only if you use the vacuum cleaner without a filter bag.

## After finishing work

- Switch off the cleaner and pull the Plug of the mains lead out of the Plug socket.
- Wind up the mains lead (2.6).
- Empty dirt tank.
- Clean the vacuum cleaner inside and outside by suction and wiping.
- Deposit the appliance in a dry room, safe from unauthorised use.

## Maintenance and care

**⚠WARNING** Always remove the power supply plug from the socket before carrying out any work on the machine.

**⚠WARNING** All maintenance and repair work which requires the motor casing to be opened may only be carried out by an authorised service centre.



A safety test is to be carried out at least once a year by the manufacturer or an instructed person, e.g. for possible damage to the filter and leaks in the appliance, and to ensure that the control devices are functioning.

### Accessories, filter

- A hose coupling (1.10) (487072) can be plugged into the opening (1.8). The suction hose is connected to the tool from above with the hose coupling. Alternatively, a hose clip (452998) can be fitted for coiling the suction hose.
- The push handle (2.11) (452921) makes the vacuum cleaner easier to move. Accessories (e.g. vacuum accessories) can be fixed to the push handle batten (2.9).

The accessory and filter order number can be found in your Festool catalogue or on the Internet under [www.festool-usa.com](http://www.festool-usa.com).

### Warranty

#### Conditions of 1+2 Warranty

You are entitled to a free extended warranty (1 year + 2 years = 3 years) for your Festool power tool. Festool shall be responsible for all shipping costs during the first year of the warranty. During the second and third year of the warranty the customer is responsible for shipping the tool to Festool. Festool will pay for return shipping to the customer using UPS Ground Service. All warranty service is valid 3 years from the date of purchase on your receipt or invoice.

#### Festool Limited Warranty

This warranty is valid on the pre-condition that the tool is used and operated in compliance with the Festool operating instructions. Festool warrants, only to the original consumer purchaser, that the specified tool will be free from defects in materials and workmanship for a term of one year from the date of procurement. Festool makes no other warranty, express or implied, for Festool portable

power tools. No agent, representative, distributor, dealer or employee of Festool has the authority to increase or otherwise change the obligations or limitations of this warranty. The obligations of Festool in its sole discretion under this warranty shall be limited to the repair or replacement of any Festool portable power tool that is found to be defective as packaged with the User Manual.

Excluded from coverage under this warranty are: normal wear and tear; damages caused by misuse, abuse or neglect; damage caused by anything other than defects in material and workmanship. This warranty does not apply to accessory items such as circular saw blades, drill bits, router bits, jigsaw blades, sanding belts, and grinding wheels. Also excluded are "wearing parts", such as carbon brushes, lamellas of air tools, rubber collars and seals, sanding discs and pads, and batteries.

Festool portable power tools requiring replacement or repair are to be returned with the receipt of purchase to Festool (call 800-554-8741 for address details).

**IN NO EVENT SHALL FESTOOL BE LIABLE FOR ANY CONSEQUENTIAL OR INCIDENTAL DAMAGES FOR BREACH OF THIS OR ANY OTHER WARRANTY, EXPRESSED OR IMPLIED WHATSOEVER. ALL WARRANTIES IMPLIED BY STATE LAW, INCLUDING THE IMPLIED WARRANTIES OF MERCHANTABILITY AND FITNESS FOR A PARTICULAR PURPOSE, ARE HEREBY LIMITED TO THE DURATION OF THREE YEARS.**

Some states in the U.S. and some Canadian provinces do not allow the limitations on how long an implied warranty lasts, so the above limitation may not apply to you. With the exception of any warranties implied by state or province law as hereby limited, the foregoing express limited warranty is exclusive and in lieu of all other warranties, guarantees, agreements and similar obligations of Festool.

This warranty gives you specific legal rights and you may also have other rights which vary from state to state in the U.S. and province to province in Canada.

## Table des matières

Règles de sécurité .....	10
Caractéristiques techniques .....	12
Symbole .....	13
Utilisation conforme .....	13
Connexions .....	13
Raccordement électrique .....	13
Raccordement du tuyau flexible d'aspiration .....	13
Raccordement d'un outil électrique .....	13
Raccordement de l'outil pneumatique .....	13
Équipement .....	14
Manipulation .....	14
Interrupteur de marche/arrêt .....	14
Réglage de la puissance d'aspiration .....	14
Ouverture/fermeture de l'aspirateur .....	14
Vidage de la cuve de collecte .....	14
Utilisation .....	14
Aspiration de matières sèches .....	14
Aspirations de liquides .....	14
Filtre .....	14
Changement de filtre .....	14
Nettoyage de l'élément de filtre .....	15
Après le travail .....	15
Entretien et maintenance .....	15
Accessoires, filtre .....	15
Garantie .....	15

## Règles de sécurité

**⚠️ AVERTISSEMENT** Veuillez lire et comprendre toutes les consignes. Si on n'observe pas toutes les consignes décrites ci-dessous, il y a risque de choc électrique, d'incendie et/ou de blessures corporelles graves.

### CONSERVEZ CES CONSIGNES

## Règles de sécurité générales

### Aire de travail

**Maintenez l'aire de travail propre et bien éclairée.** Les risques d'accident sont plus élevés quand on travaille dans un endroit encombré ou sombre.

**N'utilisez pas d'aspirateurs dans des atmosphères explosives, comme par exemple en présence de gaz, poussières ou liquides inflammables.** Les appareils produisent des étincelles qui risquent d'enflammer les poussières ou les vapeurs.

**Éloignez les curieux, les enfants et les visiteurs quand vous vous servez d'un aspirateur.** Un aspirateur n'est pas un jouet et ne doit pas être utilisé comme tel. Il faut être très attentif

quand des enfants se trouvent à proximité ou l'utilisent.

## Sécurité électrique

**Cet aspirateur a été conçu exclusivement pour aspirer des déchets secs ou humides à l'intérieur.**

**La prise pour outil électroportatif est munie d'une mise à la terre, par conséquent l'aspirateur doit être branché sur une prise correctement installée et reliée à la terre selon tous les règlements et décrets en vigueur. Ne démontez jamais la broche de mise à la terre, ne modifiez jamais la fiche. N'utilisez pas d'adaptateur de prise. Renseignez-vous auprès d'un électricien qualifié si vous avez des doutes quant à la mise à la terre correcte de la prise.** Si l'aspirateur venait à présenter un défaut électrique ou une avarie, la mise à la terre présente un passage de faible résistance qui canalise le courant et l'éloigne de l'utilisateur.

**N'enfoncez pas d'objets tels que trombones ou tournevis dans la prise pour outil électroportatif.** La prise est sous tension quand l'aspirateur est branché sur une alimentation électrique et que l'interrupteur est soit sur le mode d'alimentation d'outil électroportatif, soit sur le mode de nettoyage du filtre. Il y a risque de choc électrique.

**Évitez tout contact de votre corps avec des surfaces reliées à la terre tels que tuyaux, radiateurs, gazinières ou réfrigérateurs.** Le risque de choc électrique augmente si votre corps est relié à la terre. Si vous ne pouvez pas éviter d'utiliser l'aspirateur dans des endroits humides, vous devez avoir un disjoncteur différentiel de détection de défaut de masse dans le circuit d'alimentation de votre aspirateur. Vous améliorerez votre sécurité personnelle si vous portez des gants et des chaussures d'électricien en caoutchouc.

**N'exposez pas l'aspirateur à la pluie ou à des conditions humides.** Cet aspirateur peut être utilisé pour aspirer des liquides ininflammables mais il n'est pas conçu pour être trempé ou immergé dans un liquide. Il y a risque de choc électrique.

**Ne manipulez pas la fiche ni l'appareil avec les mains mouillées.** Il y a risque de choc électrique.

**Ne maltraitez pas le cordon. Ne vous en servez jamais pour transporter l'aspirateur, pour le tirer ou pour arracher la fiche de la prise. Éloignez le cordon de la chaleur, des huiles, des arêtes coupantes ou des pièces mobiles. Remplacez immédiatement tout cordon abîmé. Ne roulez pas dessus, ne le**

**pincez pas dans une porte.** Les cordons abîmés augmentent les risques de choc électrique.

**Si vous utilisez un aspirateur à l'extérieur, utilisez une rallonge pour usages extérieurs repérée 'W-A' ou 'W'.** Ces rallonges sont faites pour être utilisées à l'extérieur et réduisent le risque d'électrocution. Consultez le chapitre 'accessoires' de ce mode d'emploi pour les tailles de rallonges électriques recommandées.

### **Sécurité personnelle et utilisation de l'aspirateur**

**Restez concentré, faites attention à ce que vous faites, et servez-vous de votre bon sens lorsque vous utilisez un aspirateur.** N'utilisez pas l'aspirateur quand vous êtes fatigué ou sous l'emprise de drogues, d'alcool ou de médicaments. Quand on utilise un aspirateur, un moment d'inattention est suffisant pour causer des blessures corporelles graves.

**Évitez les démarrages intempestifs. Assurez-vous que l'interrupteur de l'aspirateur et celui de l'outil sont en position arrêt (OFF) avant de brancher l'aspirateur ou de mettre l'interrupteur de l'aspirateur en mode d'alimentation d'outil électroportatif ou en mode de nettoyage des filtres. Ne laissez pas l'outil électroportatif branché sur la prise de l'aspirateur quand vous vous servez de ce dernier pour aspirer normalement.** Brancher des aspirateurs ou des outils avec l'interrupteur en position «marche» (ON) présente des risques d'accident.

**Ne vous penchez pas. Conservez toujours une bonne assiette et un bon équilibre pour vous-même et pour l'aspirateur.** Soyez particulièrement prudent quand vous passez l'aspirateur dans un escalier. Une bonne assise et un bon équilibre permettent un meilleur contrôle de l'aspirateur dans des situations inattendues.

**N'aspirez pas d'objets en feu, émettant de la fumée ou rougeoyant tels que cigarettes, allumettes ou cendres chaudes.** Il y a risque qu'un incendie se déclare dans le réservoir de l'aspirateur.

**N'utilisez pas l'aspirateur pour aspirer des liquides inflammables, de l'alcool, des gaz ou des poussières explosives telles que de l'essence ou autres carburants, de l'essence à briquet, du vernis, de l'enduit polyuréthane, des nettoyeurs, des peintures à base d'huile, du gaz naturel, de l'hydrogène, de la poussière de charbon, de la poussière de magnésium, de la poussière de grain ou de la poudre à canon.** Les moteurs électriques produisent des étincelles qui risquent d'enflammer la poussière ou les fumées.

**Habillez-vous de manière appropriée. Ne portez pas de vêtements amples ou de bijoux. Attachez les cheveux longs. N'approchez pas les cheveux, les vêtements ou les gants des pièces en mouvement.** Les vêtements amples, les bijoux ou les cheveux longs risquent d'être happés par les pièces en mouvement ou d'être aspirés par les tuyaux ou les buses d'aspiration. Maintenez les poignées sèches, propres et exemptes d'huile et de graisse.

**N'appuyez pas le tuyau contre votre corps pendant l'utilisation**

**Utilisez des équipements de sécurité. Portez toujours une protection oculaire et auditive.** Si les conditions le demandent, il faut porter un masque à poussière, des chaussures de sécurité antidérapantes, un casque de chantier ou une protection auditive.

**Ne convient pas à l'aspiration de substances ou poussières toxiques ou dangereuses comme l'amiante par exemple.** Les filtres ne sont pas conçus pour bloquer toutes les particules et risquent de les rejeter dans l'atmosphère.

## **Consignes de sécurité pour les aspirateurs**

### **Entretien de l'aspirateur**

**N'utilisez pas l'aspirateur si l'interrupteur ne peut le mettre en marche ni l'arrêter.** Un aspirateur qui ne répond pas à la commande de l'interrupteur est dangereux et doit être réparé.

**Débranchez l'aspirateur avant tout réglage, changement d'accessoire ou avant de le ranger.** De telles mesures de prévention réduisent le risque de démarrage intempestif de l'aspirateur.

**Ne branchez jamais un outil dont la consommation est supérieure à la valeur maximale indiquée en ampères sur la prise.** Cet aspirateur est muni d'une prise pour outils électroportatifs qui permet de l'utiliser avec d'autres appareils tels que ponceuses, scies sauteuses et rabots. Si on utilise des outils plus puissants, il y a risque d'incendie.

**N'aspirez pas de poussière quand il y a un liquide ou un fluide dans le réservoir de l'aspirateur. N'aspirez pas de liquides ou de fluides quand il y a de la poussière dans le réservoir.** Dans les deux cas, videz le réservoir ou enlevez le sac à poussière avant usage pour éviter que la poussière ne s'agglutine et ne durcisse dans le réservoir.

**Séchez les filtres complètement après avoir aspiré un liquide ou utilisez un jeu de filtres secs de rechange pour aspirer des poussières.** La poussière tend à s'agglutiner sur les

filtres mouillés ou humides et à les boucher et ils risquent aussi de moisir.

**Rangez l'aspirateur hors de portée des enfants ou autres personnes inexpérimentées quand vous ne l'utilisez pas.** Les aspirateurs sont dangereux entre les mains d'utilisateurs inexpérimentés.

**Entretenez l'aspirateur avec soin. Entretenez-le correctement pour éviter que le tuyau ne se bouche. Ne placez aucun objet dans les orifices. N'utilisez pas l'aspirateur si un des orifices est bloqué; dégagez-les de toute poussière, peluche, cheveux ou tout autre objet qui risque de réduire le débit d'air.** Tout changement ou modification de l'appareil constitue une mauvaise utilisation et risque de résulter en une situation dangereuse.

**Vérifiez que les pièces mobiles sont alignées et qu'elles ne coïncent pas. Vérifiez qu'aucune pièce n'est cassée, et que rien d'autre ne risque d'affecter le fonctionnement de l'aspirateur. Si l'aspirateur est abîmé, faites-le réparer avant de l'utiliser.** Les aspirateurs mal entretenus causent de nombreux accidents. Développez un calendrier d'entretien périodique pour votre aspirateur.

**N'utilisez que des accessoires qui sont recommandés par le fabricant de votre modèle.** Les accessoires qui conviennent à un aspirateur donné peuvent présenter un danger s'ils sont utilisés avec un autre aspirateur.

## Entretien

**Seul les personnels d'entretien qualifiés sont habilités à effectuer l'entretien de l'aspirateur.** Tout service ou entretien effectué par une personne non qualifiée peut résulter en un risque de blessure. Par exemple : les fils internes peuvent être mal placés ou pincés, les ressorts de

rappel des capots de sécurité peuvent être montés incorrectement.

**Lors de l'entretien d'un aspirateur, utilisez exclusivement des pièces de rechange identiques. Suivez les instructions se trouvant au chapitre «Entretien» de ce mode d'emploi.** Si vous utilisez des pièces non agréées ou si vous n'observez pas les instructions d'entretien, il se peut que vous causiez un risque de choc électrique ou de blessure. Certains produits de nettoyage tels que l'essence, le tétrachlorure de carbone, l'ammoniaque, etc. risquent d'endommager les pièces plastiques.

---

---

**⚠AVERTISSEMENT** Certaines poussières créées par le ponçage mécanique, le sciage, le meulage, le perçage et autres activités liées à la construction contiennent des substances chimiques connues (dans l'État de la Californie) comme pouvant causer le cancer, des anomalies congénitales ou représenter d'autres dangers pour la reproduction. Voici quelques exemples de telles substances:

- plomb provenant de peintures à base de plomb,
- silice cristallisée utilisée dans les briques, le ciment et autres matériaux de maçonnerie, et
- arsenic et chrome du bois d'œuvre traité avec un produit chimique.

Le risque d'exposition à de tels produits varie selon la fréquence à laquelle vous faites ce genre de travail.



Pour réduire les risques d'exposition à ces substances chimiques : travaillez dans un endroit adéquatement ventilé et utilisez un équipement de sécurité approuvé, tel que masques antipoussières spécialement conçus pour filtrer les particules microscopiques.

---

---

## Caractéristiques techniques

Puissance consommée .....	350 - 1200 W
Puissance maxi. connectée à la prise de l'appareil .....	1200 W
Puissance connectée totale maximale .....	2400 W
Débit (air) maxi., turbine.....	228 m <sup>3</sup> /h (8.2 cu.ft./h)
Dépression maxi., turbine.....	23000 Pa
Surface du filtre .....	14000 cm <sup>2</sup> (2170 sq.in.)
Tuyau d'aspiration, diamètre x longueur .....	27 mm x 3.5 m (1.06 in. x 11.48 ft.)
Dimensions P x L x A:	
CT 22 E HEPA.....	625 x 380 x 440 mm (24.6 x 15 x 17.3 in.)
CT 33 E HEPA.....	625 x 380 x 550 mm (24.6 x 15 x 21.6 in.)
Capacité de la cuve:	
CT 22 E HEPA.....	22 l (5.7 gal.)
CT 33 E HEPA.....	33 l (8.6 gal.)

Poids:

CT 22 E HEPA.....12 kg (26.4 lbs)


CT 33 E HEPA.....14.5 kg (32 lbs)

Longueur du câble du secteur ..... 7.5 m (24.6 ft.)

Degré de protection.....IP X4

Les figures indiquées se trouvent au début du mode d'emploi.

## Symbole

V	Volt
A	Ampère
Hz	Hertz
W	Watt
~	Tension alternative
$n_0$	Vitesse de rotation à vide
	Classe II conception

## Utilisation conforme

Les aspirateurs sont conçus pour aspirer des poussières, des impuretés, du sable, des copeaux etc. qui ne sont pas nocifs pour la santé.

Les aspirateurs sont aptes à aspirer de l'eau.

Conformément à IEC 60335-1 et IEC 60335-2-69, les aspirateurs sont conçus pour supporter de fortes sollicitations en utilisation professionnelle.

Les performances de filtrage du système dans son ensemble, équipé de l'élément filtre HEPA (493334), correspondent à la qualité HEPA H 13 (degré de séparation moyen 99,95 %).

Tous les aspirateurs CT équipés de l'élément filtre HEPA (493334) possèdent une certification HEPA tant pour le matériel filtrant que pour l'aspirateur dans son ensemble.

**⚠AVERTISSEMENT** L'utilisateur est responsable des dégâts ou accidents qu'il peut provoquer en ne respectant pas les dispositions de sécurité.

## Connexions

### Avant la mise en service :

Les accessoires sont livrés dans le conteneur (2.10); ils doivent être retirés avant la première utilisation.

### Raccordement électrique

La tension secteur et la fréquence doivent correspondre aux indications sur la plaque signalétique!

**⚠AVERTISSEMENT** Avant de brancher le câble du secteur, vérifiez que l'aspirateur est coupé.

### Le système Antistatic (AS)

L'aspiration provoque des charges statiques par frottement dans le tuyau d'aspiration. L'utilisateur peut les ressentir par des chocs électriques désagréables. Pour décharger ces charges élec-

trostatiques, l'aspirateur est équipé en série d'un système antistatique. Il est cependant nécessaire d'utiliser un tuyau antistatique.

La fonction antistatique est uniquement garantie si la fiche a été branchée sur une prise de courant dotée d'une protection de mise à la terre.

### Protection thermique

Une protection contre les surchauffes inactive l'aspirateur avant que la température critique soit atteinte - inactiver l'aspirateur et le laisser se refroidir pendant 5 minutes environ.

Si, à la suite de cette phase de refroidissement, il n'est pas possible de remettre l'aspirateur en marche, veuillez contacter un atelier SAV Festool.

## Raccordement du tuyau flexible d'aspiration

Raccordez le tuyau flexible d'aspiration à l'ouverture d'extraction (1.7).

## Raccordement d'un outil électrique

Attention! Respecter la valeur de raccordement maximale indiquée sur la prise de courant intégrée (voir „caractéristiques techniques“)!

**⚠AVERTISSEMENT** Veiller à ce que l'outil soit arrêté lors du branchement et du débranchement. Raccorder l'outil électrique à la prise de courant intégrée (1.2).

## Raccordement de l'outil pneumatique

**⚠AVERTISSEMENT** Vérifiez que l'outil pneumatique est inopérant avant tout montage ou démontage.

Grâce au montage du module pneumatique (1.9) (452829), la mise en marche automatique de l'aspirateur fonctionne également avec des appareils pneumatiques.

Nous recommandons en outre le montage de l'unité d'alimentation VE (452797). Celle-ci filtre et huile l'air comprimé et règle la pression de l'air.

Un raccord IAS (454757) est disponible pour le raccordement d'outils pneumatiques Festool.

La pression de service de l'outil doit atteindre 6 bar pour garantir le parfait fonctionnement de la mise en marche automatique.

## Équipement

- Des outils et accessoires peuvent être rangés dans les compartiments (1.6, pas sur le CT 22 E HEPA).
- Un systainer peut être fixé sur le plateau avec deux fermetures (1.1).
- En branchant un tuyau d'aspiration dans l'ouverture de sortie d'air (2.7), vous disposez d'air de soufflage.
- Béquille / Frein: les freins (2.8) permettent de bloquer les roues et empêchent ainsi l'aspirateur de rouler.

## Manipulation

### Interrupteur de marche/arrêt

En position O (1.3), l'aspirateur est arrêté et la prise de l'appareil (1.2) n'est pas sous tension. Deux modes de fonctionnement sont possibles:

#### a) Commutateur sur position „MAN“

La prise de l'appareil n'est pas sous tension.

Le moteur d'aspiration démarre immédiatement.

#### b) Commutateur sur position „Auto“

**⚠AVERTISSEMENT** Avant de tourner le commutateur sur la position „Auto“, veiller à ce que l'appareil raccordé soit arrêté.

La prise de l'appareil est conductrice.

Le moteur d'aspiration démarre à la mise sous tension de l'outil raccordé.

### Réglage de la puissance d'aspiration

Le réglage de la puissance d'aspiration (1.4) permet de varier la puissance d'aspiration, ce qui permet une adaptation précise aux différentes matières à aspirer

### Ouverture/fermeture de l'aspirateur

- ouvrir les pinces de fermeture (2.2),
- pivoter la partie supérieure (2.4) vers le haut jusqu'à ce que le support (2.5) encliquette.

La fermeture s'effectue dans l'ordre inverse. Il faut soulever légèrement la partie supérieure avant de pouvoir enfoncer ou dégager le support.

### Vidage de la cuve de collecte

**⚠MISE EN GARDE** Il faut toujours retirer la partie supérieure de l'aspirateur avant de vidanger la cuve (2.10)!

- ouvrir l'aspirateur,
- soulever légèrement la partie supérieure, appuyer sur le support (2.5),

- pivoter la partie supérieure vers le haut jusqu'en butée (position verticale),
  - retirer la partie supérieure horizontalement vers l'avant,
  - viser la cuve,
  - mettre la partie supérieure en place.
- ⚠MISE EN GARDE** Introduire les deux goujons de la partie supérieure complètement dans les évidements (1.5)!
- fermer l'aspirateur.

## Utilisation

### Aspiration de matières sèches

Insérer toujours un sac filtre dans la cuve avant d'aspirer des matières sèches. Les matières aspirées sont alors faciles à éliminer.

Après l'aspiration de liquides, l'élément de filtre est humide. Un élément de filtre humide s'encrasse plus rapidement lorsqu'on aspire des matières sèches. C'est pourquoi il faut sécher l'élément de filtre ou le remplacer par un élément sec avant d'aspirer des matières sèches.

### Aspirations de liquides

**⚠AVERTISSEMENT** Il est interdit d'aspirer des liquides inflammables!

**⚠AVERTISSEMENT** En cas de fuite de mousse ou de liquide, interrompez immédiatement le travail et videz la cuve.

**⚠MISE EN GARDE** L'élément filtre HEPA ne doit être utilisé que pour l'aspiration de substances sèches.

Retirer le sac filtre avant d'aspirer des liquides. Nous recommandons l'utilisation d'un filtre à liquides spécial (452924).

Lorsque le niveau de remplissage maximum est atteint, les indicateurs de niveau (2.12) interrompent automatiquement l'aspiration.

## Filtre

### Changement de filtre

**⚠AVERTISSEMENT** Lors des travaux suivants, veiller à ne pas soulever inutilement des tourbillons de poussières. Avant le démontage, humidifier l'élément filtre par brumisation.

Contrôler régulièrement le niveau de remplissage du sac filtre. Tout sac filtre plein doit être immédiatement remplacé.

Lors de tout remplacement du sac filtre, vérifier que l'élément filtre n'est pas endommagé. Tout élément filtre endommagé doit être immédiatement remplacé.

Lorsqu'un élément filtre HEPA est utilisé, un sac filtre doit toujours être présent.

## Changer le sac filtre (3.4)

Référence:

CTL 22 E: 452970

CTL 33 E: 452971

- ouvrir l'aspirateur,
- sortir le sac filtre usagé (voir inscription sur le sac filtre),
- éliminer le sac usagé conformément aux dispositions légales,
- nettoyer soigneusement la cuve (2.10) et l'espace (3.1) de la turbine d'aspiration (essuyer avec un chiffon humide),
- insérer un nouveau sac filtre (voir inscription sur le sac filtre). **⚠ MISE EN GARDE** Enfoncer fortement le manchon de sac filtre (3.3) sur la bouche d'aspiration (3.2) !
- fermer l'aspirateur.

## Changer l'élément filtre (2.3)

Référence (CT 22 E, CT 33 E):

Élément filtre standard: 452923

Élément filtre HEPA: 493334

Ne pas aspirer sans l'élément filtre! Ceci pourrait endommager le moteur.

- ouvrir l'aspirateur,
- démonter l'élément de filtre usagé (voir inscription sur l'emballage de l'élément de filtre),
- éliminer l'élément de filtre en l'enfermant dans un sac hermétiquement fermé conformément aux dispositions légales,
- nettoyer soigneusement la cuve (2.10) et l'espace (3.1) de la turbine d'aspiration (essuyer avec un chiffon humide),
- monter un nouvel élément de filtre usagé (voir inscription sur l'emballage de l'élément de filtre),
- fermer l'aspirateur.

## Nettoyage de l'élément de filtre

Pour nettoyer cet élément, actionner la poignée (2.1) environ 10 fois vers l'avant et l'arrière. **Remarque :** le nettoyage de l'élément de filtre est uniquement nécessaire si l'aspirateur est utilisé sans sac filtre.

## Après le travail

- Arrêter l'aspirateur et débrancher la fiche de la prise secteur.
- Enrouler le câble d'alimentation (2.6).
- Vider la cuve à saleté.
- Nettoyer l'aspirateur à l'intérieur et à l'extérieur par aspiration et essuyage.
- Entreposer l'appareil dans un local sec, protégé contre une utilisation abusive.

## Entretien et maintenance

**⚠ AVERTISSEMENT** Avant d'entreprendre une quelconque intervention sur la machine, débrancher la prise de courant!

**⚠ AVERTISSEMENT** Tout entretien ou réparation qui nécessite l'ouverture du capot du moteur ne doit être entrepris que par un atelier autorisé.

Un contrôle technique de sécurité doit être effectué au moins une fois par an par le fabricant ou une personne formée, qui vérifiera par exemple une éventuelle détérioration du filtre, l'étanchéité de l'appareil et le bon fonctionnement des équipements de contrôle.

## Accessoires, filtre

- Un support de tuyau (1.10) (487072) peut être enfoncé dans l'ouverture (1.8). Il permet d'amener le tuyau d'aspiration par le haut sur l'outil. Un crochet à tuyau (452998) peut également être fixé pour enrouler le tuyau d'aspiration.
- La poignée (2.11) (452921) facilite le transport de l'aspirateur. Des accessoires tels que des tubes d'aspiration peuvent être fixés à la barre (2.9) de la poignée.

Les références des accessoires et filtre figurent dans le catalogue Festool ou sur Internet sous **www.festool-usa.com**.

## Garantie

### Conditions de la garantie (1+2 ans)

Vous avez droit à une prolongation de garantie gratuite (1 an + 2 ans = 3 ans) sur votre outil électrique Festool. Festool assumera tous les coûts d'expédition pendant la première année de la garantie alors que les deuxième et troisième années, les coûts devront être assumés par le client. Festool paiera les frais de retour de l'outil au client par service de livraison terrestre UPS. La garantie est valable pour une période de 3 ans à compter de la date d'achat indiquée sur votre reçu ou votre facture.

### Garantie limitée de Festool

Cette garantie est valable à condition que l'outil soit utilisé conformément aux instructions de Festool. Festool garantit, à l'acheteur initial seulement, que l'outil indiqué sera exempt de tout défaut de matériau et de fabrication pendant un an à compter de la date d'achat. Festool ne donne aucune garantie supplémentaire, implicite ou explicite, sur les instruments portables électriques Festool. Aucun agent, représentant commercial, distributeur, vendeur ou employé de Festool n'est autorisé à prolonger ou à modifier les obligations ou restrictions de la présente garantie. Les obligations de Festool sont, à son entière discrétion,

limitées à la réparation ou à l'échange des outils portables électriques Festool trouvés défectueux dans le présent emballage, tels que fournis avec le présent Guide d'utilisation.

Cette garantie exclut l'usure normale, les dommages causés par un usage impropre, les abus ou la négligence, ou tout dommage autre que ceux attribuables à des défauts de matériau et de fabrication. Cette garantie ne s'applique pas aux accessoires tels que lames de scie circulaire, mèches de perceuse et vilebrequin, lames de scie sauteuse, bandes abrasives et meules. Sont également exclues les pièces d'usure, telles que balais de charbon, lamelles pour outils à air comprimé, joints et manchons de caoutchouc, disques et patins ponceurs, ainsi que les piles.

Les outils électriques portables Festool à remplacer ou à réparer doivent être retournés avec le reçu d'achat à Festool (appelez au 800-554-8741 pour connaître l'adresse d'expédition).

**FESTOOL N'EST EN AUCUN CAS RESPONSABLE DES DOMMAGES DIRECTS OU INDIRECTS, IMPLICITES OU EXPLICITES, DÉCOULANT DE LA RUPTURE DE CETTE GARANTIE OU DE TOUTE AUTRE GARANTIE. TOUTES LES GARANTIES IMPLICITES, Y COMPRIS LES GARANTIES IMPLICITES DE QUALITÉ MARCHANDE ET D'ADÉQUATION À UN USAGE PARTICULIER, SONT LIMITÉES À UNE PÉRIODE DE TROIS ANS.**

Certains états américains et certaines provinces canadiennes ne permettent pas la limitation des garanties implicites; il se pourrait donc que les limites indiquées ci-dessus ne s'appliquent pas dans votre cas. À l'exception de certaines garanties implicites des provinces ou des états indiquées ici, la présente garantie est exclusive et remplace toute autre garantie, convention et obligation similaire de Festool.

Cette garantie vous confère des droits légaux spécifiques, et vous pouvez aussi avoir d'autres droits pouvant varier d'un état à l'autre, ou d'une province à l'autre au Canada.



## Contenido

<b>Normas de seguridad</b> .....	<b>17</b>
<b>Datos técnicos</b> .....	<b>19</b>
<b>Símbolos</b> .....	<b>20</b>
<b>Uso conforme a la destinación</b> .....	<b>20</b>
<b>Conexiones</b> .....	<b>20</b>
Conexión eléctrica .....	20
Conectar la manguera de aspiración .....	20
Conexión / acoplamiento de la herramienta eléctrica .....	20
Conectar la herramienta neumática .....	21
<b>Equipo</b> .....	<b>21</b>
<b>Manejo</b> .....	<b>21</b>
Interruptor de conexión/desconexión .....	21
Regulador de la fuerza de aspiración .....	21
Abrir/cerrar el aspirador .....	21
Vaciar el depósito para suciedad .....	21
<b>Aplicación</b> .....	<b>21</b>
Aspiración de materias secas .....	21
Succión de líquidos .....	22
<b>Filtro</b> .....	<b>22</b>
Cambio de filtro .....	22
Limpieza del elemento filtrante .....	22
<b>Una vez terminado el trabajo</b> .....	<b>22</b>
<b>Mantenimiento y conservación</b> .....	<b>22</b>
<b>Accesorios, filtros</b> .....	<b>22</b>
<b>Garantía</b> .....	<b>23</b>

## Normas de seguridad

**⚠ ADVERTENCIA** Lea y entienda todas las instrucciones. Si no se siguen todas las instrucciones que aparecen a continuación, el resultado podría ser descargas eléctricas, incendio y/o lesiones corporales graves.

### GUARDE ESTAS INSTRUCCIONES

## Normas generales de seguridad

### Área de trabajo

**Mantenga el área de trabajo limpia y bien iluminada.** Las áreas desordenadas y oscuras invitan a que se produzcan accidentes.

**No utilice aspiradoras en atmósferas explosivas, como las causadas por la presencia de líquidos, gases o polvos inflamables.** Los electrodomésticos generan chispas, las cuales pueden incendiar el polvo o los vapores.

**Mantenga a las personas que estén presentes, los niños y los visitantes alejados mientras esté utilizando la aspiradora.** No permita que la aspiradora se use como un juguete.

Es necesario prestar máxima atención cuando la aspiradora sea usada por niños o cuando se utilice cerca de éstos.

## Seguridad eléctrica

**Esta aspiradora está diseñada solamente para uso en interiores y para recogida de materiales secos o mojados.**

**El tomacorriente para herramientas mecánicas está conectado a tierra y la aspiradora debe enchufarse en un tomacorriente instalado adecuadamente y conectado a tierra apropiadamente de acuerdo con todos los códigos y ordenanzas. No quite nunca el terminal de conexión a tierra ni modifique el enchufe de ningún modo. No use enchufes adaptadores. Consulte con un electricista calificado si tiene dudas sobre si el tomacorriente está conectado a tierra apropiadamente.** Si la aspiradora tiene algún malfuncionamiento eléctrico o se avería, la conexión a tierra proporciona un camino de baja resistencia para llevar la electricidad alejándola del usuario.

**No introduzca objetos como sujetapapeles o destornilladores en el tomacorriente para herramientas mecánicas.** El tomacorriente tiene electricidad cuando la aspiradora está enchufada en una fuente de energía y el interruptor está colocado en el modo de activación de herramienta mecánica o en el modo de limpieza del filtro. Podrían producirse descargas eléctricas.

**Evite el contacto del cuerpo con las superficies conectadas a tierra, como tuberías, radiadores, estufas y refrigeradores.** Hay un riesgo mayor de que se produzcan descargas eléctricas si el cuerpo está conectado a tierra. Si la utilización de la aspiradora en lugares húmedos es inevitable, se debe usar un interruptor de circuito accionado por corriente de pérdida a tierra para suministrar la energía a la aspiradora. Los guantes de goma y el calzado de goma de electricista aumentarán más su seguridad personal.

**No exponga la aspiradora a la lluvia ni a condiciones mojadas.** Esta aspiradora puede utilizarse para recoger líquidos ininflamables, pero no está diseñada para inmersión o sumersión en un líquido. Podrían producirse descargas eléctricas.

**No maneje el enchufe ni el electrodoméstico con las manos mojadas.** Podrían producirse descargas eléctricas.

**No maltrate el cable de alimentación. No use nunca el cable de alimentación para transportar la aspiradora, tirar de ella o jalar del enchufe para sacarlo de un tomacorriente. Mantenga el cable de alimentación alejado del calor, el aceite, los bordes afilados o las piezas móviles. Reemplace inmediatamen-**

**te los cables de alimentación dañados. No maneje un vehículo ni cierre una puerta sobre un cable de alimentación.** Los cables de alimentación dañados aumentan el riesgo de que se produzcan descargas eléctricas.

**Cuando utilice una aspiradora en el exterior, use un cordón de extensión para intemperie marcado con las letras „W-A“ o „W“.** Estos cordones tienen capacidad para uso a la intemperie y reducen el riesgo de que se produzcan descargas eléctricas. Consulte la sección Tamaños recomendados de cordones de extensión que se encuentra en la sección Accesorios de este manual.

## **Seguridad personal y uso de la aspiradora**

**Manténgase alerta, fíjese en lo que está haciendo y use el sentido común cuando esté utilizando una aspiradora.** No use la aspiradora cuando esté cansado o bajo la influencia de drogas, alcohol o medicamentos. Un momento de distracción mientras esté utilizando una aspiradora puede causar lesiones corporales graves.

**Evite el arranque accidental. Asegúrese de que los interruptores de la aspiradora y de la herramienta estén en la posición de APAGADO antes de enchufar la aspiradora o poner su interruptor en el modo de activación de herramienta mecánica o en el modo de limpieza del filtro. No mantenga la herramienta mecánica enchufada en el tomacorriente para herramientas mecánicas de la aspiradora durante la recogida normal con la aspiradora.** Enchufar aspiradoras o herramientas que tengan el interruptor en la posición de ENCENDIDO invita a que se produzcan accidentes.

**No intente alcanzar demasiado lejos. Mantenga un apoyo adecuado de los pies y un equilibrio apropiado, así como un apoyo y un equilibrio apropiados de la aspiradora en todo momento. Tenga cuidado adicional cuando limpie en escaleras.** El apoyo adecuado de los pies y el equilibrio apropiado del usuario, junto con el apoyo y el equilibrio apropiados de la aspiradora, permiten tener mejor control de la aspiradora en situaciones inesperadas.

**No use la aspiradora para recoger cosas que se estén quemando, que estén humeando o que estén ardiendo sin llama, como cigarrillos, fósforos o cenizas calientes.** Podría producirse un incendio dentro del tanque de la aspiradora.

**No use la aspiradora para recoger líquidos, alcoholes o gases inflamables, ni polvos explosivos, como gasolina u otros combustibles, líquido encendedor, barniz, revestimientos**

**de poliuretano, limpiadores, pinturas a base de aceite, gas natural, hidrógeno, polvo de carbón, polvo de magnesio, polvo de granos o pólvora.** Los motores eléctricos generan chispas que pueden incendiar el polvo o los vapores.

**Vístase adecuadamente. No use ropa ni joyas holgadas. Sujétese el pelo largo. Mantenga el pelo, la ropa y los guantes alejados de las piezas móviles.** La ropa holgada, las joyas holgadas o el pelo largo pueden quedar atrapados en las piezas móviles, la manguera y las boquillas de succión. Mantenga las asas secas, limpias y libres de aceite y grasa.

**No sujete la manguera contra ninguna parte del cuerpo durante la utilización de la aspiradora.**

**Utilice equipo de seguridad. Use siempre protección de los ojos y de la audición.** Se debe usar una máscara antipolvo, zapatos de seguridad antideslizantes, casco o protección de la audición para las condiciones apropiadas.

**Esta aspiradora no es adecuada para recoger sustancias o polvos peligrosos o tóxicos, como por ejemplo asbesto.** Los filtros no podrán atrapar todas las partículas y es posible que las expulsen de vuelta al medio ambiente.

## **Normas de seguridad para aspiradoras**

### **Cuidado de la aspiradora**

**No use la aspiradora si el interruptor no la enciende o apaga.** Toda aspiradora que no pueda controlarse con el interruptor es peligrosa y debe repararse.

**Desconecte el enchufe de la fuente de energía antes de hacer cualquier ajuste, cambiar accesorios o almacenar la aspiradora.** Dichas medidas preventivas de seguridad reducirán el riesgo de arrancar accidentalmente la aspiradora.

**No conecte nunca una herramienta con una capacidad nominal superior a los amperios máximos indicados en el receptáculo.** Esta aspiradora tiene un tomacorriente para herramientas mecánicas para utilizarse en combinación con otros electrodomésticos, como lijadoras, sierras caladoras y cepillos mecánicos; las herramientas con capacidades nominales mayores pueden causar un incendio.

**No use la aspiradora para recoger polvo cuando el tanque de la aspiradora contenga líquido o fluido. No use la aspiradora para recoger líquidos o fluidos cuando haya polvo en el tanque.** En cualquiera de estos dos casos, vacíe el tanque y/o quite la bolsa para polvo an-

tes de usar la aspiradora, para que el polvo no se aglutine y se endurezca dentro del tanque.

**Seque completamente los filtros después de usar la aspiradora para recoger materiales mojados o use un segundo juego de filtros secos para recoger polvo.** En los filtros húmedos o mojados se aglutinará polvo o se formará moho o verdín.

**Cuando no se esté usando la aspiradora, guárdela fuera del alcance de los niños y de otras personas que no hayan recibido capacitación para utilizarla.** Las aspiradoras son peligrosas en manos de los usuarios que no hayan recibido capacitación.

**Mantenga la aspiradora con cuidado. Mantenga apropiadamente la aspiradora para mantener desobstruida la manguera. No ponga ningún objeto en las aberturas. No use la aspiradora si alguna de las aberturas está bloqueada; mantenga las aberturas libres de polvo, pelusa, pelo y cualquier cosa que pueda reducir la circulación de aire.** Cualquier alteración o modificación es un uso incorrecto y puede causar una situación peligrosa.

**Compruebe si hay piezas desalineadas o que se atasquen, si hay piezas rotas y cualquier otra situación que pueda afectar el funcionamiento de la aspiradora. Si la aspiradora está dañada, haga que le realicen servicio de ajustes y reparaciones antes de utilizarla.** Las aspiradoras mal mantenidas causan muchos accidentes. Desarrolle un programa de mantenimiento periódico para su aspiradora.

**Utilice únicamente accesorios que estén recomendados por el fabricante para su modelo.** Los accesorios que pueden ser adecuados para una aspiradora pueden volverse peligrosos cuando se utilicen en otra aspiradora.

### Servicio de ajustes y reparaciones

**Solamente personal de reparaciones calificado deber realizar servicio de ajustes y reparaciones en la aspiradora.** El servicio de ajustes

y reparaciones o el mantenimiento realizado por personal no calificado podría causar un riesgo de lesiones. Por ejemplo, los cables internos podrían quedar colocados incorrectamente o pellizcados, o los resortes de retorno del protector de seguridad podrían quedar montados incorrectamente.

**Cuando haga servicio de ajustes y reparaciones en una aspiradora, utilice únicamente piezas de repuesto idénticas. Siga las instrucciones de la sección Mantenimiento de este manual.** El uso de piezas no autorizadas o no seguir las instrucciones de la sección Mantenimiento puede crear un riesgo de que se produzcan descargas eléctricas o lesiones. Ciertos agentes de limpieza, como gasolina, tetracloruro de carbono, amoníaco, etc., pueden dañar las piezas de plástico.

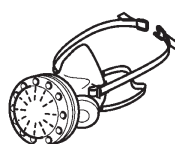
---

---

**⚠ ADVERTENCIA** Algunos polvos creados por lijadoras motorizadas, aserraderos, trituradores, perforadoras y otras actividades de construcción contienen sustancias químicas que se sabe (en el Estado de California) causan cáncer, defectos de nacimiento u otros daños al sistema reproductivo. Algunos ejemplos de estas sustancias químicas son:

- Plomo de las pinturas con base de plomo
- Sílice cristalino de los ladrillos y cemento y otros productos de mampostería, y
- Arsénico y cromo de madera tratada con sustancias químicas

El riesgo de exposición a estas sustancias varía, dependiendo de cuantas veces se hace este tipo de trabajo.



Para reducir el contacto con estas sustancias químicas: trabaje en un área con buena ventilación y trabaje con equipo de seguridad aprobado, como mascarillas para el polvo diseñadas específicamente para filtrar partículas microscópicas.

---

---

## Datos técnicos

Potencia absorbida .....	350 - 1200 W
Potencia conectada la enchufe del aparato máx.....	1200 W
Potencia total conectada, máx. ....	2400 W
Caudal volumétrico (aire), máx., turbina .....	228 m <sup>3</sup> /h (8.2 cu.ft./h)
Depresión máx., turbina .....	23000 Pa
Superficie filtrante .....	14000 cm <sup>2</sup> (2170 sq.in.)
Tubo flexible de aspiración, diametro x longitud .....	27 mm x 3.5 m (1.06 in. x 11.48 ft.)
Dimensiones P x An x Al:	
CT 22 E HEPA.....	625 x 380 x 440 mm (24.6 x 15 x 17.3 in.)
CT 33 E HEPA.....	625 x 380 x 550 mm (24.6 x 15 x 21.6 in.)

Capacidad del depósito para recoger la suciedad:

CT 22 E HEPA.....	22 l (5.7 gal.)
CT 33 E HEPA.....	33 l (8.6 gal.)

Peso:

CT 22 E HEPA.....	12 kg (26.4 lbs)
CT 33 E HEPA.....	14.5 kg (32 lbs)

Longitud del cable de conexión a la red ..... 7.5 m (24.6 ft.)

Clase de protección ..... IP X4

Las figuras indicadas se encuentran al principio de las instrucciones de servicio.

## Símbolos

V	voltios
A	amperios
Hz	hertzios
W	vatios
~	rensión alterna
$n_0$	revoluciones por minuto en vacío
☐	Clase II Construcción

## Uso conforme a la destinación

Según lo predeterminado, los aspiradores son apropiados para la aspiración de polvos no perjudiciales para la salud, suciedad, arena, virutas, etc..

Además, los aspiradores son apropiados, según lo predeterminado, para la succión de agua.

Según las normas IEC 60335-1 y IEC 60335-2-69, los aspiradores son apropiados para una solicitud elevada durante el uso en el sector industrial.

El rendimiento de filtración de todo el aparato, compuesto del elemento filtrante HEPA (493334), corresponde con la calidad HEPA H 13 (rendimiento de eliminación medio 99,95 %).

Todos los aspiradores CT equipados con el elemento filtrante HEPA (493334) disponen de una certificación HEPA tanto para el material de filtración como para el aparato de aspiración completo.

**⚠ADVERTENCIA** El usuario responde de los daños y accidentes que puedan derivarse de un uso no conforme a lo previsto.

## Conexiones

### Antes de la puesta en funcionamiento:

Las piezas de los accesorios se suministran colocadas en el depósito (2.10) y deben extraerse antes de la primera puesta en marcha.

### Conexión eléctrica

¡El voltaje de la red y la frecuencia tienen que coincidir con las indicaciones en la placa de características!

**⚠ADVERTENCIA** Al enchufar el cable de la alimentación de red se tiene que observar que el aspirador esté desconectado.

### El sistema antiestático (AS)

Durante la aspiración se producen cargas estáticas en el tubo flexible de aspiración a causa de la fricción. Estas cargas estáticas pueden resultar desagradables en forma de descargas eléctricas para el operador de la máquina. Para facilitar la descarga de estas cargas estáticas, el aspirador está equipado de serie con un sistema antiestático. Sin embargo, para ello resulta necesario emplear un tubo flexible antiestático.

El funcionamiento antiestático sólo está garantizado si la clavija de enchufe está conectada a una caja de contacto con protección por puesta a tierra.

### Dispositivo protector contra sobre-temperaturas

Para proteger contra el sobrecalentamiento hay dispuesto un seguro térmico que desconecta el aspirador antes de que llegue a una temperatura crítica - apagar el aspirador y dejarlo que se enfríe durante aproximadamente 5 minutos.

En caso de que después del proceso descrito no se pudiera volver a encender el aspirador, sírvase ponerse en contacto con un taller autorizado de postventa de Festool.

## Conectar la manguera de aspiración

Conecte la manguera de aspiración en la abertura de la aspiración (1.7).

## Conexión / acoplamiento de la herramienta eléctrica

¡Observar la potencia conectada máxima en la caja de enchufe de la máquina (ver bajo „Datos técnicos“)!

**⚠ADVERTENCIA** Aquí se tiene que observar, que al enchufar y desenchufar la herramienta eléctrica ésta esté desconectada.

Conectar la herramienta eléctrica en la caja de enchufe de la máquina (1.2).

## Conectar la herramienta neumática

**⚠ADVERTENCIA** Observar que al insertar o extraer, la herramienta neumática esté desconectada.

Mediante el montaje del módulo de aire comprimido (1.9) (452829) el dispositivo de conexión automática del aspirador funciona también en combinación con herramientas neumáticas. Adicionalmente recomendamos el montaje de la unidad de alimentación VE (452797).

La unidad de alimentación se encarga de filtrar el aire comprimido y de añadir aceite al mismo y permite una regulación de la presión del aire.

Para la conexión o acoplamiento de las herramientas neumáticas Festool con el sistema IAS se pueda adquirir una pieza de conexión IAS (454757).

A fin de garantizar un funcionamiento perfecto del dispositivo de conexión automática, la presión de servicio de la herramienta tiene que ser de 6 bar.

### Equipo

- En los compartimentos guarda-objetos (1.6, no en el CT 22 E HEPA) se pueden colocar y guardar herramientas o accesorios.
- En la superficie de apoyo se puede fijar un Systainer con los dos elementos de cierre (1.1).
- Acoplando una manguera de aspiración en la boca de soplado (2.7) se puede disponer de aire de soplado.
- Soporte / freno: mediante los frenos de bloqueo (2.8) se pueden bloquear las ruedas, con lo que se evita un deslizamiento incontrolado del aspirador.

### Manejo

#### Interruptor de conexión/desconexión

En la posición O (1.3), el aspirador se encuentra desconectado y la caja de enchufe de la máquina (1.2) está sin corriente.

Son posibles dos modos de servicio:

##### a) Posición del conmutador „MAN“

La caja de enchufe de la máquina está sin corriente.

El motor de aspiración se pone inmediatamente en marcha.

##### b) Posición del conmutador „Auto“

**⚠ADVERTENCIA** Antes de girar el conmutador a la posición „Auto“ se tiene que observar que la máquina acoplada esté desconectada.

La caja de enchufe de la máquina conduce corriente.

El motor de aspiración se arranca al conectar la herramienta conectada.

## Regulador de la fuerza de aspiración

Por medio del regulador de la fuerza de aspiración (1.4) se puede variar la potencia de aspiración. De este modo es posible conseguir una adaptación precisa a las diversas funciones de aspiración y succión.

### Abrir/cerrar el aspirador

- Abrir las pinzas de cierre (2.2).
- Girar hacia arriba la parte superior del aspirador (2.4) hasta que enclave la pieza de apoyo (2.5).

El cierre se realiza procediendo análogamente pero a la inversa. A fin de presionar o desenclavar, respectivamente, la pieza de apoyo, antes se tiene que levantar ligeramente la parte superior.

### Vaciar el depósito para suciedad

**⚠PRECAUCION** ¡Antes de vaciar el depósito (2.10) para recoger la suciedad se tiene que desmontar siempre antes la parte superior del aspirador!

- Abrir el aspirador,
- levantar ligeramente la parte superior, presionar la pieza de apoyo (2.5),
- girar la parte superior hacia arriba hasta el tope (posición vertical),
- desmontar la parte superior horizontalmente hacia delante,
- vaciar el depósito,
- colocar la parte superior. **⚠PRECAUCION** ¡Introducir completamente en las escotaduras (1.5) ambos pernos de la parte superior!
- Cerrar el aspirador.

### Aplicación

#### Aspiración de materias secas

Antes de proceder a la aspiración de materias secas deberá encontrarse siempre incorporada en el depósito la bolsa filtrante. De este modo es más fácil eliminar ecológicamente el material aspirado.

El elemento filtrante está húmedo después de haber succionado líquidos. Un elemento filtrante húmedo se obtura con mayor rapidez, cuando se aspiran materiales secos. Por este motivo, el elemento filtrante deberá secarse antes de realizar una aspiración de materiales secos o deberá cambiarse por uno seco.

## Succión de líquidos

**⚠ADVERTENCIA** ¡No está permitido aspirar / succionar líquidos inflamables!

**⚠ADVERTENCIA** Cuando se note que sale espuma o líquido, se deberá terminar inmediatamente el trabajo y vaciarse el depósito para recoger la suciedad.

**⚠PRECAUCION** El elemento filtrante HEPA sólo puede utilizarse para aspirar sustancias secas.

Antes de proceder a la succión de líquidos se tiene que retirar siempre la bolsa filtrante. Se recomienda el empleo de un filtro húmedo especial (452924).

Al alcanzar el nivel máximo de llenado se interrumpe automática-mente la aspiración por los indicadores del nivel de llenado (2.12).

### Filtro

#### Cambio de filtro

**⚠ADVERTENCIA** Durante los trabajos expuestos a continuación se deberá observar que no se levante innecesariamente el polvo. Humedezca el elemento filtrante con una fina niebla de agua antes de desmontarlo.

Controle regularmente el nivel de llenado de la bolsa filtrante. Cuando una bolsa filtrante esté llena, deberá sustituirse inmediatamente.

Controle si el elemento filtrante ha quedado dañado cuando cambie la bolsa filtrante. Si una bolsa filtrante está dañada, deberá sustituirse inmediatamente.

Al utilizar un elemento filtrante HEPA se deberá colocar siempre una bolsa filtrante.

#### Cambiar la bolsa filtrante (3.4)

Núm. de pedido:

CTL 22 E: 452970

CTL 33 E: 452971

- Abrir el aspirador,
- retirar la bolsa filtrante usada (ver la impresión sobre la bolsa filtrante),
- eliminar la bolsa filtrante usada conforme a las disposiciones ecológicas legales locales,
- limpiar completamente el depósito para la suciedad (2.10) y el espacio (3.1) para la turbina de aspiración (frotar con un paño húmedo),
- colocar una bolsa filtrante nueva (ver la impresión sobre la bolsa filtrante). **⚠PRECAUCION** ¡Presionar fuertemente la boca de la bolsa filtrante (3.3) sobre la boca de entrada (3.2)!
- Cerrar el aspirador.

#### Cambiar el elemento filtrante (2.3)

Núm. de pedido (CT 22 E, CT 33 E):

Elemento filtrante estándar: 452923

Elemento filtrante HEPA: 493334

¡No aspirar sin el elemento de filtro! Podría dañar el motor.

- Abrir el aspirador,
- desmontar el elemento filtrante usado (ver la impresión sobre el embalaje del elemento filtrante),
- eliminar el elemento filtrante usado en una bolsa cerrada a prueba de polvo, a saber, conforme a las disposiciones ecológicas legales locales,
- limpiar completamente el depósito para recoger la suciedad (2.10) y el espacio (3.1) para la turbina de aspiración (frotar con un paño húmedo),
- incorporar un elemento filtrante nuevo (ver la impresión sobre el embalaje del elemento filtrante),
- cerrar el aspirador.

#### Limpieza del elemento filtrante

Para la limpieza se tiene que mover el asa (2.1) unas 10 veces hacia delante y atrás. **Observación:** La limpieza del elemento filtrante es solamente necesaria, cuando el aspirador es operado sin bolsa filtrante.

#### Una vez terminado el trabajo

- Desconectar el aspirador y desenchufar de la caja de enchufe el enchufe de la red.
- Enrollar el cable de conexión (2.6).
- Vaciar el depósito para recoger la suciedad.
- Limpiar el interior y exterior del aspirador aspirándolo y frotándolo correspondiente-mente.
- Colocar el aspirador en una estancia seca, protegida contra un uso no autorizado.

#### Mantenimiento y conservación

**⚠ADVERTENCIA** ¡Antes de realizar cualquier trabajo en la máquina se debe retirar el enchufe de la caja de contacto!

**⚠ADVERTENCIA** Los trabajos de mantenimiento y reparación que requieran abrir la carcasa del motor, deben llevarse a cabo únicamente en un taller autorizado.

Como mínimo una vez al año tiene que realizarse una prueba en razón de la seguridad, a saber, por la casa productora o por una persona correspondientemente instruida, por ejemplo, en cuanto a daños del filtro, hermeticidad del aparato y funcionamiento de los dispositivos de control.

#### Accesorios, filtros

- En la abertura (1.8) se puede meter un soporte para tubos flexibles (1.10) (487072). Con ayuda de este soporte se aproxima el tubo flexible de aspiración por arriba a la herramienta. Como

alternativa se puede fijar un gancho para mangueras (452998) para así poder colgar la manguera enrollada del aparato.

- La empuñadura (2.11) (452921) simplifica el transporte del aspirador. En la traviesa (2.9) de la empuñadura se pueden fijar accesorios como, p.ej., tubos de succión.

Los números de pedido para los respectivos accesorios y filtros se encuentran en su catálogo Festool o en la dirección de Internet **www.festool-usa.com**.

## Garantía

### Condiciones de la Garantía 1 + 2

Usted tiene derecho a una garantía extendida gratuita (1 año + 2 años = 3 años) para su herramienta mecánica Festool. Festool se hará responsable por los gastos de envío durante el primer año de garantía. Durante el segundo y tercer año de garantía el cliente es responsable por el costo del envío de la herramienta a Festool. Festool pagará el embarque de regreso al cliente usando UPS Ground Service. Todo el servicio de garantía es válido por 3 años desde la fecha de la compra de acuerdo a la fecha de su recibo o factura de compra.

### Garantía limitada de Festool

Esta garantía es válida con la condición previa de que la herramienta se usa y opera de conformidad con las instrucciones de operación de Festool. Festool garantiza, sólo al comprador original, que la herramienta especificada estará libre de defectos de fabricación y materiales durante un periodo de un año a partir de la fecha de compra. Festool no otorga otras garantías, ni explícitas ni implícitas para ninguna de las herramientas mecánicas portátiles Festool. Ningún agente, representante, distribuidor, comerciante o empleado de Festool está autorizado para extender o modificar de cualquier manera las obligaciones o limitaciones de esta garantía. Las obligaciones de Festool, a su propia entera discreción, están limitadas a la reparación o sustitución de cualquier herramienta portátil Festool que se encuentre estar defectuo-

sa en el momento de ser embalada junto con el manual de usuario.

Quedan excluidos de la cobertura en esta garantía: el desgaste normal; los daños causados por uso indebido, el abuso o negligencia; los daños causados por cualquier otra causa que no sean defectos del material o de la fabricación. Esta garantía no aplica a accesorios como cuchillas de sierras circulares, brocas de taladro, barrenas de buriladora, cuchillas de sierra, cuchillas para sierras de calado, correas de lijadoras y ruedas de esmeril. También se excluyen las "partes que se desgastan" como cepillos de carbón, laminillas de herramientas de aire, collarines de hule y sellos, discos y cojines de lijado, y baterías.

Las herramientas mecánicas portátiles Festool que requieran de reemplazo o reparación deben devolverse con el recibo de compra a Festool (llame al 800-554-8741 para los detalles de la dirección).

**EN NINGÚN CASO FESTOOL SE HARÁ RESPONSABLE POR LOS DAÑOS SECUNDARIOS O CONSECUENTES OCASIONADOS POR LA VIOLACIÓN DE ESTA O CUALQUIER OTRA GARANTÍA, SEA EXPLÍCITA O IMPLÍCITA. TODAS LAS GARANTÍAS IMPLICADAS POR LEYES ESTATALES, INCLUYENDO LAS GARANTÍAS IMPLICADAS DE COMERCIALIZACIÓN Y ADECUACIÓN A UN PROPÓSITO PARTICULAR, QUEDAN LIMITADAS A TRES AÑOS DE DURACIÓN.**

Algunos estados de EE.UU. y algunas provincias de Canadá no permiten las limitaciones en cuanto a la duración de las garantías implícitas, de modo que la limitación arriba indicada puede que no le afecte. A excepción de algunas garantías implicadas por leyes estatales o provinciales, limitadas por la presente, la anteriormente citada garantía, expresamente limitada, es exclusiva y sustituye a cualquier otra garantía, acuerdo u obligación similar de Festool.

Esta garantía le concede derechos legales específicos y usted podría tener otros derechos legales que varían de estado a estado en EE.UU. y de provincia a provincia en Canadá.







