

Festool GmbH

Wertstraße 20

D-73240 Wendlingen

Germany

Tel.: +49 (0)7024/804-0

Fax: +49 (0)7024/804-20608

<http://www.festool.com>

FESTOOL

Instruction manual

Page 3

IMPORTANT: Read all instructions before using.

Guide d'utilisation

Page 11

IMPORTANT: Lire toutes les instructions avant de démarrer les travaux.

Manual de instrucciones

Página 20

IMPORTANTE: Lea todas las instrucciones antes de usar.

Instruction manual
Guide d'utilisation
Manual de instrucciones

EHL 65 E





701019_002



Table of contents

Symbols.....	3
Safety rules	3
General safety rules	3
Planer Safety rules	4
Technical data	5
Intended use.....	5
Power supply and start-up.....	5
Electronics	6
Chip thickness adjustment	6
Changing cutters	6
Dust extraction	7
Putting the planer down.....	7
Fitting the guides	8
Rebating depth guide [488543].....	8
Parallel guide	8
Working with the planer.....	8
Chamfering	8
Accessories, tools	9
Servicing and maintenance	9
Warranty	10

Symbols

V	Volts
A	Amperes
Hz	Hertz
~	Alternating current
n_0	No load speed
☐	Class II Construction
rpm	Revolutions or reciprocation per minute
∅	Diameter
	Warning of general danger
	Read the Operating Instructions/Notes!

Safety rules

General safety rules

⚠ WARNING Read all safety warnings and all instructions. Failure to follow the warnings and instructions may result in electric shock, fire and/or serious injury.

Save all warnings and instructions for future reference.

The term “power tool” in the warnings refers to your mains-operated (corded) power tool or battery-operated (cordless) power tool.

1 WORK AREA SAFETY

- Keep work area clean and well lit.** Cluttered and dark areas invite accidents.
- Do not operate power tools in explosive atmospheres, such as in the presence of flammable liquids, gases or dust.** Power tools create sparks which may ignite the dust or fumes.
- Keep children and bystanders away while operating a power tool.** Distractions can cause you to lose control.

2 ELECTRICAL SAFETY

- Power tool plugs must match the outlet. Never modify the plug in any way. Do not use any adapter plugs with earthed (grounded) power tools.** Unmodified plugs and matching outlets will reduce risk of electric shock.
- Avoid body contact with earthed or grounded surfaces, such as pipes, radiators, ranges and refrigerators.** There is an increased risk of electric shock if your body is earthed or grounded.
- Do not expose power tools to rain or wet conditions.** Water entering a power tool will increase the risk of electric shock.
- Do not abuse the cord. Never use the cord for carrying, pulling or unplugging the power tool. Keep cord away from heat, oil, sharp edges or moving parts.** Damaged or entangled cords increase the risk of electric shock.
- When operating a power tool outdoors, use an extension cord suitable for outdoor use.** Use of a cord suitable for outdoor use reduces the risk of electric shock.

f) **If operating a power tool in a damp location is unavoidable, use a residual current device (RCD) protected supply.** Use of an RCD reduces the risk of electric shock.

3 PERSONAL SAFETY

a) **Stay alert, watch what you are doing and use common sense when operating a power tool. Do not use a power tool while you are tired or under the influence of drugs, alcohol or medication.** A moment of inattention while operating power tools may result in serious personal injury.

b) **Use personal protective equipment. Always wear eye protection.** Protective equipment such as dust mask, non skid safety shoes, hard hat, or hearing protection used for appropriate conditions will reduce personal injuries.

c) **Prevent unintentional starting. Ensure the switch is in the off-position before connecting to power source and/or battery pack, picking up or carrying the tool.** Carrying power tools with your finger on the switch or energising power tools that have the switch on invites accidents.

d) **Remove any adjusting key or wrench before turning the power tool on.** A wrench or a key left attached to a rotating part of the power tool may result in personal injury.

e) **Do not overreach. Keep proper footing and balance at all times.** This enables better control of the power tool in unexpected situations.

f) **Dress properly. Do not wear loose clothing or jewellery. Keep your hair, clothing and gloves away from moving parts.** Loose clothes, jewellery or long hair can be caught in moving parts.

g) **If devices are provided for the connection of dust extraction and collection facilities, ensure these are connected and properly used.** Use of dust collection can reduce dust-related hazards.

4 POWER TOOL USE AND CARE

a) **Do not force the power tool. Use the correct power tool for your application.** The correct power tool will do the job better and safer at the rate for which it was designed.

b) **Do not use the power tool if the switch does not turn it on and off.** Any power tool that cannot be controlled with the switch is dangerous and must be repaired.

c) **Disconnect the plug from the power source and/or battery pack from the power tool before making any adjustments, changing accessories,**

or storing power tools. Such preventive safety measures reduce the risk of starting the power tool accidentally.

d) **Store idle power tools out of the reach of children and do not allow persons unfamiliar with the power tool or these instructions to operate the power tool.** Power tools are dangerous in the hands of untrained users.

e) **Maintain power tools. Check for misalignment or binding of moving parts, breakage of parts and any other condition that may affect the power tool's operation. If damaged, have the power tool repaired before use.** Many accidents are caused by poorly maintained power tools.

f) **Keep cutting tools sharp and clean.** Properly maintained cutting tools with sharp cutting edges are less likely to bind and are easier to control.

g) **Use the power tool, accessories and tool bits etc. in accordance with these instructions taking into account the working conditions and the work to be performed.** Use of the power tool for operations different from those intended could result in a hazardous situation.

h) **Keep handles dry, clean and free from oil and grease.** Slippery handles do not allow for safe handling and control of the tool in unexpected situations.

5 SERVICE

a) **Have your power tool serviced by a qualified repair person using only identical replacement parts.** This will ensure that the safety of the power tool is maintained.

Planer Safety rules

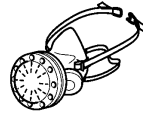
- **Wait for the cutter to stop before setting the tool down.** An exposed cutter may engage the surface leading to possible loss of control and serious injury.
- **Hold the power tool by insulated gripping surfaces only, because the cutter may contact its own cord.** Cutting a "live" wire may make exposed metal parts of the power tool "live" and could give the operator an electric shock.
- **Use clamps or another practical way to secure and support the workpiece to a stable platform.** Holding the work by hand or against your body leaves it unstable and may lead to loss of control.

Health hazard by dust

⚠️ WARNING Various dust created by power sanding, sawing, grinding, drilling and other construction activities contains chemicals known (to the State of California) to cause cancer, birth defects or other reproductive harm. Some examples of these chemicals are:

- Lead from lead-based paints,
- Crystalline silica from bricks and cement and other masonry products,
- Arsenic and chromium from chemically-treated lumber.

The risk from these exposures varies, depending on how often you do this type of work.



To reduce your exposure to these chemicals work in a well ventilated area and use approved safety equipment, such as dust masks that are specially designed to filter out microscopic particles.

Technical data

Power	720 W
Speed (no load)	15 600 rpm
Plane width	65 mm (2.56")
Chip thickness	0 - 4 mm (0" - 0.16")
Max. rebate depth	23 mm (0.90")
Weight (excluding cable)	2.4 kg (5.3 lbs)
Degree of protection	□/II

⚠️ WARNING TO REDUCE THE RISK OF INJURY, USER MUST READ INSTRUCTION MANUAL.

Intended use

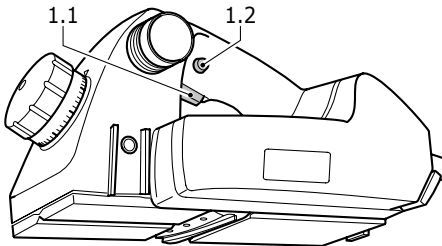
The tool together with the available Festool accessories is designed for processing wood, soft plastics and similar materials.

⚠️ WARNING The user is liable for damage and injury resulting from incorrect usage!

Power supply and start-up

⚠️ WARNING The supply voltage must comply with the voltage given on the rating plate.

To switch on, first press the switch lock (1.2) and then the switch (1.1) (press = ON, release = OFF).



voltage reduces the output and can lead to failure of the motor. The table beside shows you the correct cable diameter as a function of the cable length for the planer EHL 65 E. Use only U.L. and CSA listed extension cables. Never use two extension cables together. Instead, use one long one.

Total Extension Cord Length (feet)	25	50	100	150
Cord size (AWG)	18	16	12	10

Extension cable

If an extension cable is required, it must have a sufficient cross-section so as to prevent an excessive drop in voltage or overheating. An excessive drop in

i Note:

The lower the AWG number, the stronger the cable.

Electronics

The tool has full-wave electronics with the following features:

Smooth start-up

The smooth start-up ensures the router starts up jolt-free.

Constant speed

The pre-selected speed remains constant whether the machine is in operation or in neutral position.

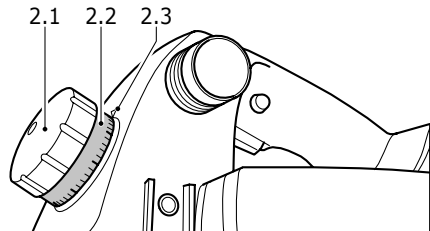
Temperature control

To prevent overheating, the safety electronics switches the machine off when it reaches a critical motor temperature. Let the machine cool down for approx. 3-5 minutes before using it again. The machine requires less time to cool down if it is running, i.e. in neutral position.

Chip thickness adjustment

The planing depth can be adjusted by turning the rotary knob (2.1) (turn to the right = larger planing depth, turn to the left = smaller planing depth). The planing depth which has been set can be read at the mark (2.3) for the rotary knob scale (2.2). Adjustment by one scale mark corresponds to a change in planing depth of 0.1 mm.

The max. planing depth is 4 mm (0.15"). So as not to overload the machine, we recommend that a maximum planing depth of 2.5 mm (0.1") be set with a plane width greater than 40 mm (1.57").

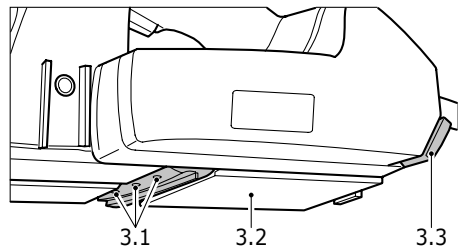


Changing cutters

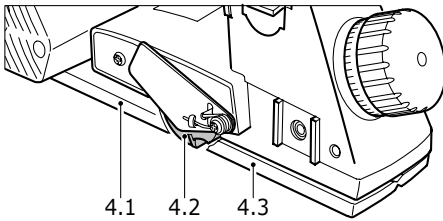
⚠ WARNING Use only cutters which are sharp and undamaged. Blunt cutters increase the danger of kick-back and reduce the planing quality obtained.

⚠ WARNING Always disconnect the mains plug from the socket before changing the cutter.

- Loosen the locking screw (3.1) by approx. 2 revolutions with the Allan key (3.3) and remove the cutter from the cutter shaft.
- Clean the cutter slot before inserting the new cutter to ensure a correct fit.



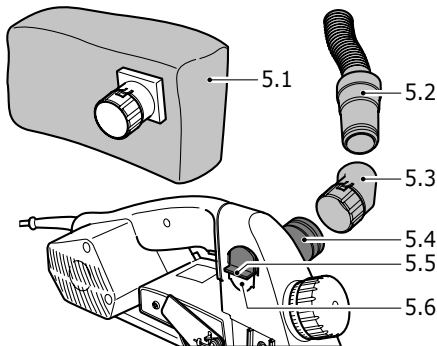
- Then insert the new cutter (488 503) into the groove with the printed side facing the rear planer platen (3.2).



- Before tightening the locking screws (3.1) align the cutter with a ruler so that its front edge (4.2) is flush with the sides of the front (4.3) and rear (4.1) planer platens. Then tighten first the central locking screw, followed by the two outer screws.

Dust extraction

The standard equipment for the planer includes devices to enable the planer to be used with both the chip collecting bag (5.1) (accessories) (488566) or a suction hose (5.2) (accessories) connected to a dust extractor.



The connector for dust extraction can be fitted on either side of the tool. To change sides, press the toggle lever (5.5) down firmly. This releases the lug on the outer edge of the casing and the adapter (5.4) can be pushed through the casing.

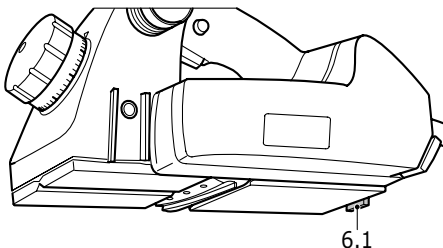
The adapter can now be inserted into the casing opening (5.6) lug first up the stop in the casing.

Either the chip collecting bag (5.1) or an angle piece (5.3) for a suction hose adapter (5.2) can be fitted to the adapter (5.4). The chips can be deflected in any direction by turning the angle piece.

A suction hose \varnothing 27 mm (1.05 ") (adapter is inserted into the angle piece (5.3). A suction hose \varnothing 36 mm (1.42 ") adapter is fitted over the angle piece (5.3).

Putting the planer down

When working with electric planers you must remember that the planer shaft continues to run for a few seconds after the tool is switched off.



The EHL 65 E has a support foot (6.1) at the end of the platen so that it can be placed safely on a work surface.

If the electric tool is taken up, the support foot automatically protrudes beyond the planer platen to ensure that the planer shaft is always raised above flat work surfaces when the planer is put down.

⚠ WARNING Pay attention to the following when putting the EHL 65 E down:

- check that the support foot is present and fully operational,
- wait until the planer shaft comes to a standstill before putting the tool down.

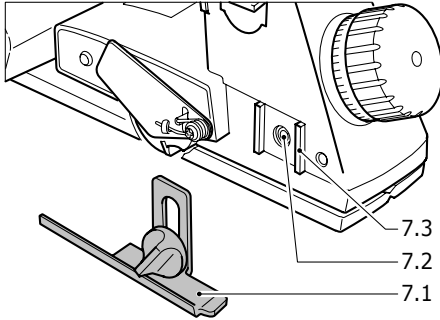
If the support foot should be found obstructive during special planing work it can be swung back out of the way and locked in position.

Fitting the guides

Rebating depth guide (488543)

The rebating depth guide (7.1) is mounted in the threaded hole (7.2) on the front right of the machine.

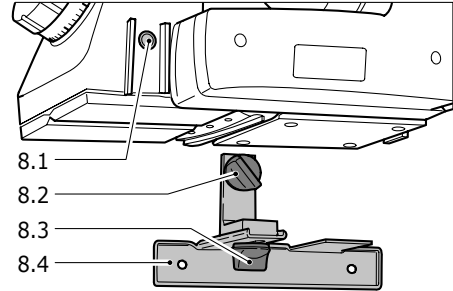
The stop can be infinitely adjusted to between 0 mm and 23 mm (0.9") in accordance with the scale. The rebating depth which has been set can be read against the notch (7.3).



Parallel guide

The parallel guide (8.4) is fitted with a rotary knob (8.2) in the threaded hole (8.1) on the left side of the tool.

When planing along an edge a planing width of between 0 mm and 65 mm (2.56") can be set with the stop after loosening the catch (8.3).

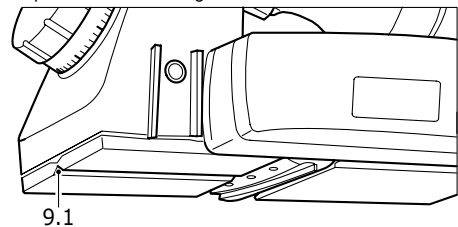


Working with the planer

- The surface to be planed must be free of metallic objects.
- First set the desired chip thickness.
- Place The front platen onto The workpiece but do not allow The planer head to come into contact with The wood.
- Switch on the planer.
- Guide The planer over The workpiece so that The platen rests flat on The workpiece. Press on The front platen when starting to plane and on The rear platen (end of workpiece) when continuing or finishing planing.

Chamfering

The front planer platen is equipped with a 90° V groove (9.1) to allow the chamfering of workpiece edges. This V groove is 2 mm (0.08") deep, thus producing a 2 mm (0.08") edge chamfer with the chip thickness setting 0.



Accessories, tools

⚠WARNING For safety reasons, only use original Festool accessories and tools!


Festool offers you a comprehensive range of accessories for your planer.

The accessory and tool order number can be found in the Festool catalogue or on the Internet under www.festoolusa.com.


Systainer

Many Festool products are shipped in a unique system container, called "Systainer". This provides protection and storage for the tool and accessories. The Systainers are stackable and can be interlocked together. They also can be interlocked atop Festool CT dust extractors.

To open the Systainer:



- Turn the T-loc (10.1) to the position .

To lock the Systainer:

- Turn the T-loc (10.1) to the position .

To connect two Systainers:

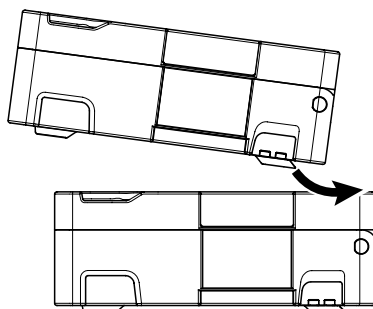
- Place one Systainer on the top of the other (Fig. 10 A).

- Turn the T-loc (10.1) to the position  or  (Fig. 10 B).

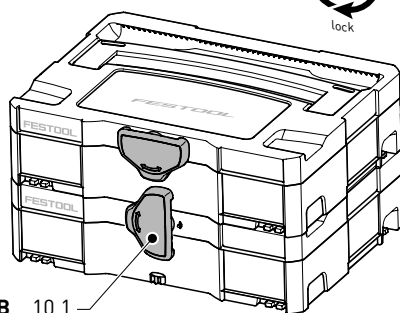
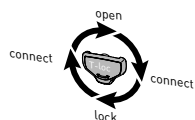
The Systainers are connected and locked.

- ▶ A new generation Systainer is connectable on top of a previous generation Systainer by the four latches of the previous Systainer.

10



A



B

Servicing and maintenance

⚠WARNING Any maintenance or repair work that requires opening of the motor or gear housing should only be carried out by an authorised Customer Service Centre (name supplied by your dealer)! Maintenance or repair work carried out by an unauthorised person can lead to the wrong connection of the power leads or other components, which in turn can lead to accidents with serious consequences.

⚠WARNING To prevent accidents, always remove the plug from the power supply socket before carrying out any maintenance or repair work on the machine! Do not use compressed

air to clean the electrical tool! Do not try to clean parts inside the machine in this way, as you could let foreign objects in through the openings of the machine housing.

⚠CAUTION Certain cleaning agents and solvents are harmful to plastic parts. Some of these are: gasoline, carbonyl chloride, cleaning solutions containing chlorine, ammonia and household cleaners containing ammonia.

- To assure the circulation of air, the cool air vents in the motor housing must always be kept clear and clean.

- This unit is fitted with special, automatically disconnecting carbon brushes. If these become worn, the current is automatically switched off

and the unit shuts down. In this case, take the unit to an authorised Customer Service Centre and have the carbon brushes changed.

Warranty

Conditions of 1+2 Warranty

You are entitled to a free extended warranty (1 year + 2 years = 3 years) on new Festool power tool purchased from an authorized retailer. Festool shall be responsible for all shipping costs during the first year of the warranty. During the second and third year of the warranty the customer is responsible for shipping the tool to Festool. Festool will pay for return shipping to the customer using UPS Ground Service. All warranty service is valid 3 years from the date of purchase on your receipt or invoice.

Festool Limited Warranty

This warranty is valid on the pre-condition that the tool is used and operated in compliance with the Festool operating instructions. Festool warrants, only to the original consumer purchaser, that the specified tool will be free from defects in materials and workmanship for a term of one year from the date of procurement. Festool makes no other warranty, express or implied, for Festool portable power tools. No agent, representative, distributor, dealer or employee of Festool has the authority to increase or otherwise change the obligations or limitations of this warranty. The obligations of Festool in its sole discretion under this warranty shall be limited to the repair or replacement of any Festool portable power tool that is found to be defective as packaged with the User Manual.

Excluded from coverage under this warranty are: normal wear and tear; damages caused by misuse, abuse or neglect; damage caused by anything other than defects in material and workmanship.

This warranty does not apply to accessory items such as circular saw blades, drill bits, router bits, jigsaw blades, sanding belts, and grinding wheels. Also excluded are "wearing parts", such as carbon brushes, lamellas of air tools, rubber collars and seals, sanding discs and pads, and batteries.

Festool portable power tools requiring replacement or repair are to be returned with the receipt of purchase to Festool (go to www.festoolusa.com or call 888-337-8600 for address details).

IN NO EVENT SHALL FESTOOL BE LIABLE FOR ANY CONSEQUENTIAL OR INCIDENTAL DAMAGES FOR BREACH OF THIS OR ANY OTHER WARRANTY, EXPRESSED OR IMPLIED WHATSOEVER. ALL WARRANTIES IMPLIED BY STATE LAW, INCLUDING THE IMPLIED WARRANTIES OF MERCHANTABILITY AND FITNESS FOR A PARTICULAR PURPOSE, ARE HEREBY LIMITED TO THE DURATION OF THREE YEARS.



Some states in the U.S. and some Canadian provinces do not allow the limitations on how long an implied warranty lasts, so the above limitation may not apply to you. With the exception of any warranties implied by state or province law as hereby limited, the foregoing express limited warranty is exclusive and in lieu of all other warranties, guarantees, agreements and similar obligations of Festool.

This warranty gives you specific legal rights and you may also have other rights which vary from state to state in the U.S. and province to province in Canada.

Sommaire

Symboles.....	11
Règles de sécurité	11
Règles de sécurité d'ordre général	11
Règles de sécurité pour rabot.....	13
Données techniques.....	13
Utilisation conforme.....	13
Raccordement électrique et mise en route.....	14
Électronique.....	14
Réglage de la prise de copeaux.....	15
Remplacement du couteau.....	15
Aspiration.....	16
Dépose du rabot.....	16
Montage des butées	17
Butée de profondeur de feuillure (488543).....	17
Butée parallèle	17
Comment travailler avec le rabot.....	17
Chanfreiner.....	17
Entretien courant et maintenance	18
Garantie	19

Symboles

V	Volts
A	Ampères
Hz	Hertz
~	Courant alternatif
n_0	Vitesse à vide
Ⓜ	Construction de classe II
tr/mn	Nombre de tours par minute
∅	diamètre
	Avertissement de danger général
	Lire les instructions / les remarques !

Règles de sécurité

Règles de sécurité d'ordre général

⚠ AVERTISSEMENT Lire toutes les consignes de sécurité et indications. Le non-respect des avertissements et instructions indiqués ci-après peut entraîner un choc électrique, un incendie et/ou de graves blessures.

Conserver tous les avertissements et toutes les instructions pour pouvoir s'y reporter ultérieurement.

Le terme « outil » dans les avertissements fait référence à votre outil électrique alimenté par le secteur (avec cordon d'alimentation) ou votre outil fonctionnant sur batterie (sans cordon d'alimentation).

1 PLACE DE TRAVAIL

a) **Maintenez l'endroit de travail propre et bien éclairé.** Un lieu de travail en désordre ou mal éclairé augmente le risque d'accidents.

b) **N'utilisez pas l'appareil dans un environnement présentant des risques d'explosion et où se trouvent des liquides, des gaz ou poussières inflammables.** Les outils électroportatifs génèrent des étincelles risquant d'enflammer les poussières ou les vapeurs.

c) **Tenez les enfants et autres personnes éloignés durant l'utilisation de l'outil électroportatif.** En cas d'inattention vous risquez de perdre le contrôle sur l'appareil.

2 SÉCURITÉ RELATIVE AU SYSTÈME ÉLECTRIQUE

a) **La fiche de secteur de l'outil électroportatif doit être appropriée à la prise de courant. Ne modifiez en aucun cas la fiche. N'utilisez pas de fiches d'adaptateur avec des appareils avec mise à la terre.** Les fiches non modifiées et les prises de courant appropriées réduisent le risque de choc électrique.

b) **Évitez le contact physique avec des surfaces mises à la terre tels que tuyaux, radiateurs, fours et réfrigérateurs.** Il y a un risque élevé de choc électrique au cas où votre corps serait relié à la terre.

c) **N'exposez pas l'outil électroportatif à la pluie ou à l'humidité.** La pénétration d'eau dans un outil électroportatif augmente le risque d'un choc électrique.

d) **N'utilisez pas le câble à d'autres fins que celles prévues, n'utilisez pas le câble pour porter l'appareil ou pour l'accrocher ou encore pour le débrancher de la prise de courant. Maintenez le câble éloigné des sources de chaleur, des parties grasses, des bords tranchants ou des parties de l'appareil en rotation.** Un câble endommagé ou torsadé augmente le risque d'un choc électrique.

e) **Au cas où vous utiliseriez l'outil électroportatif à l'extérieur, utilisez une rallonge autorisée homologuée pour les applications extérieures.** L'utilisation d'une rallonge électrique homologuée pour les applications extérieures réduit le risque d'un choc électrique.

f) **Si l'usage d'un outil dans un emplacement humide est inévitable, utiliser une alimentation protégée par un dispositif à courant différentiel résiduel (RCD).** L'usage d'un RCD réduit le risque de choc électrique.

3 SÉCURITÉ DES PERSONNES

a) **Restez vigilant, surveillez ce que vous faites. Faites preuve de bon en utilisant l'outil électroportatif. N'utilisez pas l'appareil lorsque vous êtes fatigué ou après avoir consommé de l'alcool, des drogues ou avoir pris des médicaments.** Un moment d'inattention lors de l'utilisation de l'appareil peut entraîner de graves blessures sur les personnes.

b) **Portez des équipements de protection. Portez toujours des lunettes de protection.** Le fait de porter des équipements de protection personnels tels que masque anti-poussières, chaussures de sécurité antidérapantes, casque de protection ou protection acoustique suivant le travail à effectuer, réduit le risque de blessures.

c) **Évitez une mise en service par mégarde. Assurez-vous que l'interrupteur est effectivement en position d'arrêt avant de retirer la fiche de la prise de courant.** Le fait de porter l'appareil avec le doigt sur l'interrupteur ou de brancher l'appareil sur la source de courant lorsque l'interrupteur est

en position de fonctionnement, peut entraîner des accidents.

d) **Enlevez tout outil de réglage ou toute clé avant de mettre l'appareil en fonctionnement.** Une clé ou un outil se trouvant sur une partie en rotation peut causer des blessures.

e) **Ne surestimez pas vos capacités. Veillez à garder toujours une position stable et équilibrée.** Ceci vous permet de mieux contrôler l'appareil dans des situations inattendues.

f) **Portez des vêtements appropriés. Ne portez pas de vêtements amples, ni de bijoux. Gardez les cheveux et les vêtements à distance des pièces mobiles.** Des vêtements amples, des bijoux ou des cheveux longs peuvent être happés par les pièces en mouvement.

g) **Si des dispositifs servant à aspirer ou à recueillir les poussières doivent être utilisés, vérifiez que ceux-ci soient effectivement raccordés et qu'ils sont correctement utilisés.** L'utilisation de tels dispositifs réduit les dangers dus aux poussières.

4 UTILISATION ET EMPLOI SOIGNEUX DE L'OUTIL ELECTROPORTATIF

a) **Ne surchargez pas l'appareil. Utilisez l'outil électroportatif approprié au travail à effectuer.** Avec l'outil électroportatif approprié, vous travaillerez mieux et avec plus de sécurité à la vitesse pour laquelle il est prévu.

b) **N'utilisez pas un outil électroportatif dont l'interrupteur est défectueux.** Un outil électroportatif qui ne peut plus être mis en ou hors fonctionnement est dangereux et doit être réparé.

c) **Retirer la fiche de la prise de courant avant d'effectuer des réglages sur l'appareil, de changer les accessoires, ou de ranger l'appareil.** Cette mesure de précaution empêche une mise en fonctionnement par mégarde.

d) **Gardez les outils électroportatifs non utilisés hors de portée des enfants. Ne permettez pas l'utilisation de l'appareil à des personnes qui ne se sont pas familiarisées avec celui-ci ou qui n'ont pas lu ces instructions.** Les outils électroportatifs sont dangereux lorsqu'ils sont utilisés par des personnes non initiées.

e) **Prenez soin des outils électroportatifs. Vérifiez que les parties en mouvement fonctionnent correctement et qu'elles ne soient pas coincées, et contrôlez si des parties sont cassées ou endommagées de telle sorte que le bon fonctionnement**

de l'appareil s'en trouve entravé. **Faites réparer les parties endommagées avant d'utiliser l'appareil.** De nombreux accidents sont dus à des outils électroportatifs mal entretenus.

f) **Maintenez les outils de coupe aiguisés et propres.** Des outils soigneusement entretenus avec des bords tranchants bien aiguisés se coincent moins souvent et peuvent être guidés plus facilement.

g) **Utilisez les outils électroportatifs, les accessoires, les outils à monter etc. conformément à ces instructions et aux prescriptions en vigueur pour ce type d'appareil. Tenez compte également des conditions de travail et du travail à effectuer.** L'utilisation des outils électroportatifs à d'autres fins que celles prévues peut entraîner des situations dangereuses.

h) **Gardez les poignées dans un état sec, propre et exempt d'huile et de graisse.** Des poignées glissantes ne permettent pas une prise en main sûre et le contrôle de l'outil électrique dans des situations inattendues.

5 SERVICE

a) **Ne faites réparer votre outil électroportatif que par un personnel qualifié et seulement avec des pièces de rechange d'origine.** Ceci permet d'assurer la sécurité de l'appareil.

Règles de sécurité pour rabot

- **Attendez l'immobilisation totale de la fraise avant de poser l'outil.** Une fraise exposée risque d'endommager la surface sur laquelle elle est posée et d'entraîner une perte du contrôle de l'outil ainsi que de graves blessures.
- **Ne tenez l'outil électrique que par les surfaces de préhension isolées, étant donné que le porte-outils risque de toucher le propre câble d'alimentation de l'outil.** Le contact avec un câble sous tension peut également mettre des

pièces métalliques de l'appareil sous tension et provoquer un choc électrique.

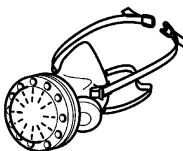
- **Utilisez des serre-joints ou d'autres dispositifs pour bloquer et soutenir la pièce sur une plateforme stable.** Maintenir la pièce à la main ou contre son corps n'est pas une solution stable, vous risquez de perdre le contrôle de l'outil.

La poussière, un risque pour la santé

⚠ AVERTISSEMENT Certaines poussières créées par le ponçage mécanique, le sciage, le meulage, le perçage et autres activités reliées à la construction contiennent des substances chimiques connues (dans l'État de la Californie) comme pouvant causer le cancer, des anomalies congénitales ou représenter d'autres dangers pour la reproduction. Voici quelques exemples de telles substances:

- plomb provenant de peintures à base de plomb,
- silice cristallisée utilisée dans les briques, le ciment et autres matériaux de maçonnerie, et
- arsenic et chrome du bois d'œuvre traité avec un produit chimique.

Le risque d'exposition à de tels produits varie selon la fréquence à laquelle vous faites ce genre de travail.



Pour réduire les risques d'exposition à ces substances chimiques : travaillez dans un endroit adéquatement ventilé et utilisez un équipement de sécurité approuvé, tel que

des masques antipoussières spécialement conçus pour filtrer les particules microscopiques.

⚠ AVERTISSEMENT POUR RÉDUIRE LE RISQUE DE DOMMAGES, L'UTILISATEUR DOIT LIRE LE MANUEL D'INSTRUCTION.

Données techniques

Puissance	720 W
Rotation (à vide)	15 600 tr/min
Largeur de rabotage	65 mm (2.56")
Prise de copeaux	0 - 4 mm (0" - 0.16")
Profondeur de feuillure	23 mm (0.90")
Poids (sans câble)	2,4 kg (5.3 lbs)
Classe de protection	□/II

Utilisation conforme

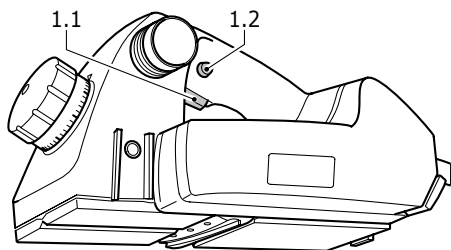
Cette machine avec les outils de travail de Festool est destiné à traiter du bois, des matières plastiques tendres et des matériaux ressemblant au bois.

⚠ AVERTISSEMENT L'utilisateur est responsable des dégâts ou accidents qu'il peut provoquer en ne respectant pas les dispositions de sécurité.

Raccordement électrique et mise en route

⚠ AVERTISSEMENT La tension du réseau doit correspondre aux indications de la plaque signalétique.

Pour mettre le rabot en route, il faut d'abord appuyer sur le système de blocage de remise en marche (1.2) puis sur l'interrupteur (1.1) (enfoncé=MARCHE, relâché=ARRET).



Rallonge électrique

Si une rallonge électrique est nécessaire, elle doit présenter une section suffisante afin d'éviter une chute de tension excessive ou une surchauffe. Une chute de tension excessive réduit la puissance et peut entraîner la destruction du moteur. Le tableau à gauche vous présente la section correcte de la rallonge en fonction de sa longueur pour le rabot EHL 65 E. Utilisez exclusivement des rallonges recommandées par U.L. et CSA. N'utilisez jamais deux rallonges raccordées l'une à l'autre, mais remplacez-les par une rallonge plus longue.

Longueur totale de la rallonge (pieds)	25	50	100	150
Section de la rallonge (AWG)	18	16	12	10

i **Remarque :**

Plus le calibre AWG est bas, plus le câble est résistant.

Électronique

Cette machine dispose d'une électronique complète qui présente les caractéristiques suivantes :

Démarrage progressif

Le démarrage progressif assure un fonctionnement sans à-coups de la machine.

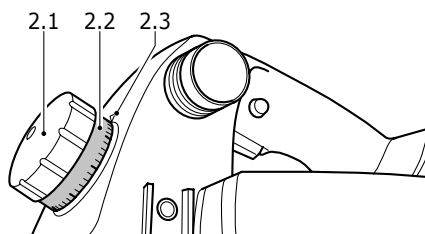
Régime constant

Le régime sélectionné est maintenu constant en marche à vide et pendant le traitement.

Protection thermique

Pour assurer une protection contre la surchauffe, le système électronique de sécurité arrête la machine dès qu'une température critique du moteur est atteinte. Après une période de refroidissement d'env. 3 à 5 minutes, la machine est à nouveau prête à l'emploi. Le temps de refroidissement diminue quand la machine fonctionne (marche à vide).

Réglage de la prise de copeaux



En tournant le bouton rotatif (2.1), on règle la profondeur de passe (rotation vers la droite = profondeur de passe plus importante, rotation vers la

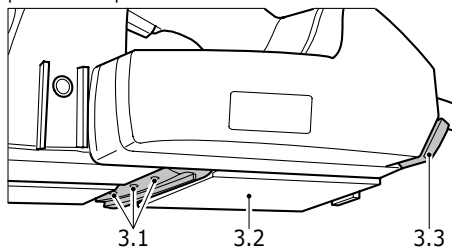
gauche = profondeur de passe moins importante). Le marquage (2.3) sur la graduation (2.2) du bouton rotatif indique comment la profondeur de passe est réglée. Le fait de varier la graduation d'un trait donne lieu à une profondeur de passe modifiée de 0,1 mm (0.004").

La profondeur de masse maximale est de 4 mm (0.15"). Afin de protéger la machine contre une sollicitation trop élevée, nous recommandons de n'ajuster, en présence d'une largeur de rabotage >40 mm (1.57"), que moins que 2,5 mm (0.1").

Remplacement du couteau

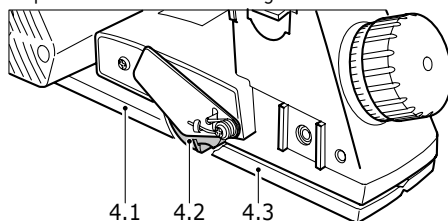
⚠ AVERTISSEMENT Il faut absolument veiller à ce que seuls des couteaux impeccables et bien affûtés soient utilisés. En effet, des couteaux émoussés sont susceptibles de provoquer des reculs de l'outil et de donner lieu à un résultat de travail insatisfaisant.

⚠ AVERTISSEMENT Avant le remplacement du couteau, il est indispensable de débrancher l'appareil de la prise secteur.



– Pour pouvoir retirer le couteau de l'arbre, desserrez les vis de blocage (3.1) à l'aide de la clé à pipe (3.3) en les tournant environ deux fois.

- Nettoyez la rainure de réception du couteau avant la mise en place du nouveau pour assurer son logement correct.
- Puis poussez ce dernier (488 503) dedans, de sorte que le côté décrit soit dirigé vers la semelle arrière du rabot (3.2).
- Avant de procéder de nouveau au serrage des vis de blocage (3.1), veuillez aligner le couteau à l'aide d'une règle. Ce faisant, sa partie frontale (4.2) doit être en ligne avec les bords latéraux de la semelle du rabot avant (4.3) et arrière (4.1). C'est la vis au centre qui doit être serrée d'abord, puis les deux vis de blocage extérieures.



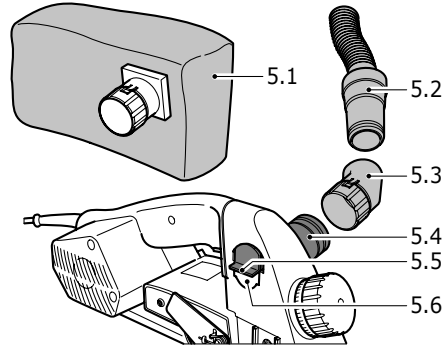
Aspiration

La livraison standard comprend des dispositifs permettant d'exploiter le rabot avec un sac récupérateur (5.1) [accessoire] (488 566) accolé ou avec le tuyau d'un aspirateur raccordé (1.2) (accessoire).

Le raccordement peut avoir lieu du côté gauche ou du côté droit du rabot, à votre convenance. Pour changer le côté, il vous suffit de pousser le nez (1.11) vers le bas (en appliquant une certaine force) pour déverrouiller ainsi la butée sur le contour extérieur du corps. La pièce de raccordement (5.4) peut dès maintenant traverser le corps de l'outil. Introduisez la pièce de raccordement, avec son nez à l'avant, dans le trou sur le corps (4.1), jusqu'à la butée.

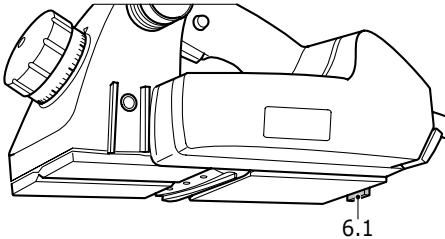
Raccordez sur l'embout (5.4) soit le sac de récupération de copeaux (5.1) soit la pièce coudée (5.3) nécessaire à la liaison à un tuyau d'aspiration (1.2). En tournant la pièce coudée, le sens d'éjection des copeaux peut être influencé à volonté.

La pièce de raccordement d'un tuyau d'aspiration de $\varnothing 27$ (1.05") doit être poussée dans la pièce coudée (5.3). La pièce de raccordement d'un tuyau d'aspiration de $\varnothing 36$ (1.42") doit être poussée sur la pièce coudée (5.3).



Dépose du rabot

L'arbre du rabot électrique demeure encore quelques secondes en rotation après inactivation de l'appareil.



Afin de pouvoir déposer le rabot de manière sûre, le EHL 65 E est doté d'un pied d'appui (6.1) qui se

situe à l'extrémité de la semelle et qui sort lorsque l'appareil est soulevé, de sorte qu'une rotation libre de l'arbre est toujours assurée lorsque le rabot est de nouveau déposé sur une surface plane.

⚠ AVERTISSEMENT Si vous désirez déposer le rabot, veuillez respecter les points suivants:

- Assurez-vous d'abord que le pied d'appui fonctionne correctement,
- patientez avant la dépose, jusqu'à ce que l'arbre se soit immobilisé.

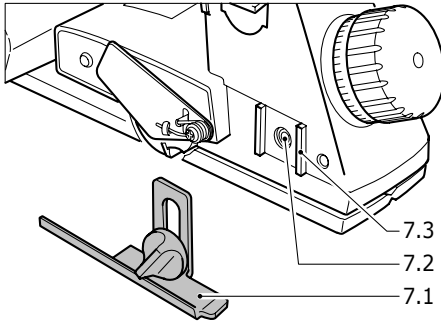
Au cas où le pied d'appui en saillie entraverait l'exécution d'un travail spécifique, celui-ci peut être bloqué dans sa position rentrée en le poussant latéralement.

Montage des butées

Butée de profondeur de feuillure (488543)

La butée de profondeur de feuillure (7.1) doit être fixée dans le trou fileté (7.2) du côté droit de l'appareil.

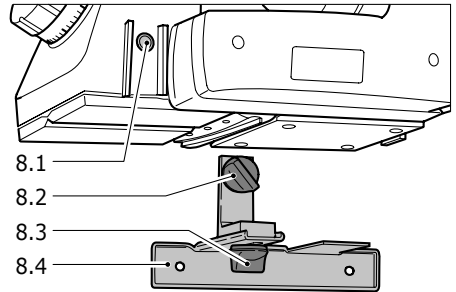
Elle peut être réglée progressivement entre 0 mm et 23 mm (0.9"). La profondeur de feuillure ajustée peut être lue sur le nervurage de repérage (7.3).



Butée parallèle

Le guide parallèle (8.4) doit être fixé dans le trou fileté (8.1), du côté gauche de l'appareil, par l'intermédiaire d'un bouton rotatif (8.2).

Le guide parallèle permet de raboter le long des arêtes avec une largeur de coupe de 0 mm à 65 mm (2.56"), celle-ci peut être ajustée en desserrant le blocage (8.3).

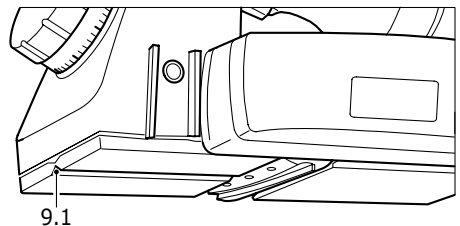


Comment travailler avec le rabot

- Aucune pièce ou partie métallique ne doit être présente sur la surface à raboter (vis/clous, etc.)
- Réglez la largeur de coupe souhaitée.
- Mettez d'abord la semelle avant au contact de la pièce à usiner et veillez à ce que le porte-outil ne la touche pas.
- Activez le rabot.
- Faites glisser la semelle du rabot sur le matériau en veillant à ce qu'elle soit posée bien à plat. Pour débuter l'opération de rabotage, appliquez une légère pression sur la semelle avant et commencez/exécutez votre travail en appuyant également sur la partie arrière de la semelle.

Chanfreiner

Pour réaliser un chanfrein sur une arête, la semelle avant du rabot est équipée d'une rainure en V de 90° (9.1). Cette rainure en V a une profondeur de 2 mm (0.08"). Ainsi, en prise de copeaux réglée à 0, l'arête est cassée de 2 mm (0.08").



Accessoires, outils

⚠ AVERTISSEMENT Pour votre propre sécurité, n'utiliser que des accessoires et pièces de rechange Festool d'origine.


Festool vous propose une gamme complète d'accessoires pour votre rabot.

Les références des accessoires et outils figurent dans le catalogue Festool ou sur Internet sous „www.festoolusa.com“.


Systainer

De nombreux produits Festool sont fournis dans une caisse exclusive, appelée «Systainer». Celle-ci permet de protéger et de ranger des outils et des appareils complémentaires. Les Systainer sont empilables et peuvent être solidarisés. En outre, il se fixent sur les aspirateurs CT Festool.



Pour ouvrir le Systainer:

- Tournez le T-loc (10.1) à la position 

Pour fermer le Systainer:

- Tournez le T-loc (10.1) à la position 

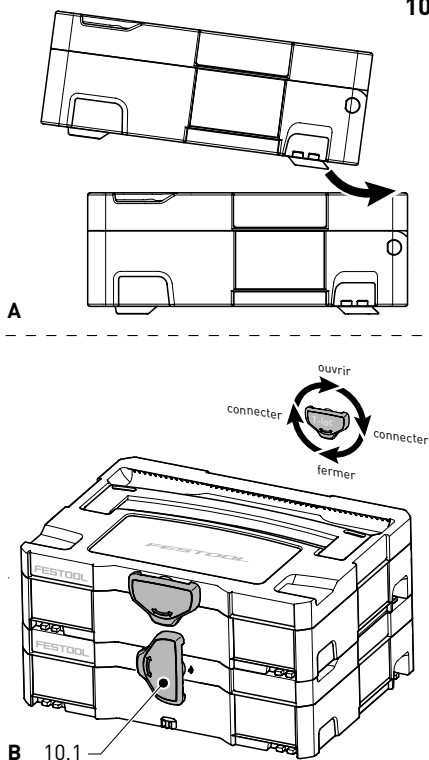
Pour connecter deux Systainers:

- Placez un Systainer au dessus de l'autre (Fig. 10 A).
- Tournez le T-loc (10.1) à la position  ou  (Fig. 10 B).

Les Systainers sont combinés.

- ▶ Un Systainer de la nouvelle génération peut être attaché au dessus d'un Systainer de l'ancienne génération par les quatre loquets de l'ancien Systainer.

10



Entretien courant et maintenance

⚠ AVERTISSEMENT Tout travail de maintenance ou de réparation, qui nécessite l'ouverture du moteur ou du carter d'engrenages doit uniquement être effectué par un centre service-client autorisé (nom fourni par votre revendeur) ! Les travaux de maintenance ou de réparation effectués par un personnel non autorisé peuvent conduire à la mauvaise connexion de câbles d'alimentation ou d'autres composants, ce qui peut entraîner à son tour des accidents avec des conséquences graves.

⚠ AVERTISSEMENT Pour éviter les accidents, retirez toujours la fiche mâle de la prise d'alimentation électrique avant d'effectuer tout travail de maintenance ou de réparation sur la machine ! N'utilisez pas d'air comprimé pour nettoyer l'outil électrique ! N'essayez pas de nettoyer des parties à l'intérieur de la machine de cette façon, étant donné que des corps étrangers pourraient pénétrer dans les ouvertures du carter de la machine.

⚠ MISE EN GARDE Certains produits nettoyants et solvants sont nocifs pour les pièces en plastique. En voici des exemples : essence, chlorure

de carbonyle, solutions de nettoyage contenant du chlore, ammoniac et produits de nettoyage domestiques contenant de l'ammoniac.

- Pour assurer la circulation de l'air, les événements d'aération situés dans le carter moteur doivent toujours rester propres et dégagés.

- Cette unité est équipée de balais de charbon spéciaux à déconnexion automatique. Lorsqu'ils sont usés, le courant est coupé automatiquement et l'unité est mise hors tension. Dans ce cas, envoyez l'unité à un centre service-client autorisé et faites changer les balais de charbon.

Garantie

Conditions de la garantie (1+2 ans)

Vous avez droit à une prolongation de garantie gratuite (1 an + 2 ans = 3 ans) sur votre outil électrique Festool neuf acheté chez un distributeur autorisé. Festool assumera tous les coûts d'expédition pendant la première année de la garantie alors que les deuxième et troisième années, les coûts devront être assumés par le client. Festool paiera les frais de retour de l'outil au client par service de livraison terrestre UPS. La garantie est valable pour une période de 3 ans à compter de la date d'achat indiquée sur votre reçu ou votre facture.

Garantie limitée de Festool

Cette garantie est valable à condition que l'outil soit utilisé conformément aux instructions de Festool. Festool garantit, à l'acheteur initial seulement, que l'outil indiqué sera exempt de tout défaut de matériau et de fabrication pendant un an à compter de la date d'achat. Festool ne donne aucune garantie supplémentaire, implicite ou explicite, sur les instruments portables électriques Festool. Aucun agent, représentant commercial, distributeur, vendeur ou employé de Festool n'est autorisé à prolonger ou à modifier les obligations ou restrictions de la présente garantie. Les obligations de Festool sont, à son entière discrétion, limitées à la réparation ou à l'échange des outils portables électriques Festool trouvés défectueux dans le présent emballage, tels que fournis avec le présent Guide d'utilisation.

Cette garantie exclut l'usure normale, les dommages causés par un usage impropre, les abus ou la négligence, ou tout dommage autre que

ceux attribuables à des défauts de matériau et de fabrication. Cette garantie ne s'applique pas aux accessoires tels que lames de scie circulaire, mèches de perceuse et vilebrequin, lames de scie sauteuse, bandes abrasives et meules. Sont également exclues les pièces d'usure, telles que balais de charbon, lamelles pour outils à air comprimé, joints et manchons de caoutchouc, disques et patins ponceurs, ainsi que les piles.

Les outils électriques portables Festool à remplacer ou à réparer doivent être retournés avec le reçu d'achat à Festool (voyez www.festoolusa.com ou appelez au 888-337-8600 pour connaître l'adresse d'expédition).

FESTOOL N'EST EN AUCUN CAS RESPONSABLE DES DOMMAGES DIRECTS OU INDIRECTS, IMPLICITES OU EXPLICITES, DÉCOULANT DE LA RUPTURE DE CETTE GARANTIE OU DE TOUTE AUTRE GARANTIE. TOUTES LES GARANTIES IMPLICITES, Y COMPRIS LES GARANTIES IMPLICITES DE QUALITÉ MARCHANDE ET D'ADÉQUATION À UN USAGE PARTICULIER, SONT LIMITÉES À UNE PÉRIODE DE TROIS ANS.

Certains états américains et certaines provinces canadiennes ne permettent pas la limitation des garanties implicites; il se pourrait donc que les limites indiquées ci-dessus ne s'appliquent pas dans votre cas. À l'exception de certaines garanties implicites des provinces ou des états indiquées ici, la présente garantie est exclusive et remplace toute autre garantie, convention et obligation similaire de Festool.

Cette garantie vous confère des droits légaux spécifiques, et vous pouvez aussi avoir d'autres droits pouvant varier d'un état à l'autre, ou d'une province à l'autre au Canada.

Índice de contenidos

Símbolos.....	20
Reglas de seguridad	20
Reglas generales de seguridad	20
Reglas de seguridad para cepillos.....	22
Datos técnicos	22
Uso conforme a la destinación	22
Conexión eléctrica y puesta en funcionamiento	23
Sistema electrónico.....	23
Ajuste del grosor de corte.....	24
Cambio de la cuchilla del cepillo.....	24
Aspiración	25
Poner el cepillo sobre una superficie.....	25
Montaje de los topes	26
Tope de profundidad de rebaje (488543).....	26
Tope paralelo	26
Trabajando con el cepillo	26
Biselando	26
Accesorios, herramientas	27
Servicio y mantenimiento	27
Garantía	28

Símbolos

V	Voltios
A	Amperios
Hz	Hercios
~	Corriente alterna
n_0	Sin velocidad de carga
⊠	Construcción Clase II
rpm	Revoluciones o reciprocidad por minuto
∅	Diámetro



Aviso ante un peligro general



¡Leer las instrucciones e indicaciones!

Reglas de seguridad

Reglas generales de seguridad

⚠ADVERTENCIA Lea íntegramente las instrucciones e indicaciones de seguridad. El incumplimiento de dichas instrucciones e indicaciones puede dar lugar a descargas eléctricas, incendios o lesiones graves.

Guardar todas las advertencias de peligro e instrucciones para futuras consultas.

El término herramienta eléctrica empleado en las siguientes advertencias de peligro se refiere a herramientas eléctricas de conexión a la red (con cable de red) y a herramientas eléctricas accionadas por acumulador (o sea, sin cable de red).

1 PUESTO DE TRABAJO

a) **Mantenga limpio y bien iluminado su puesto de trabajo.** El desorden y una iluminación defi-

ciente en las áreas de trabajo pueden provocar accidentes.

b) **No utilice la herramienta eléctrica en un entorno con peligro de explosión, en el que se encuentren combustibles líquidos, gases o material en polvo.** Las herramientas eléctricas producen chispas que pueden llegar a inflamar los materiales en polvo o vapores.

c) **Mantenga alejados a los niños y otras personas de su puesto de trabajo al emplear la herramienta eléctrica.** Una distracción le puede hacer perder el control sobre el aparato.

2 SEGURIDAD ELÉCTRICA

a) **El enchufe del aparato debe corresponder a la toma de corriente utilizada. No es admisible modificar el enchufe en forma alguna. No emplear adaptadores en aparatos dotados con una toma de tierra.** Los enchufes sin modificar adecuados

a las respectivas tomas de corriente reducen el riesgo de una descarga eléctrica.

b) **Evite que su cuerpo toque partes conectadas a tierra como tuberías, radiadores, cocinas y refrigeradores.** El riesgo a quedar expuesto a una sacudida eléctrica es mayor si su cuerpo tiene contacto con tierra.

c) **No exponga las herramientas eléctricas a la lluvia y evite que penetren líquidos en su interior.** Existe el peligro de recibir una descarga eléctrica si penetran ciertos líquidos en la herramienta eléctrica.

d) **No utilice el cable de red para transportar o colgar el aparato, ni tire de él para sacar el enchufe de la toma de corriente. Mantenga el cable de red alejado del calor, aceite, esquinas cortantes o piezas móviles.** Los cables de red dañados o enredados pueden provocar una descarga eléctrica.

e) **Al trabajar con la herramienta eléctrica en la intemperie utilice solamente cables de prolongación homologados para su uso en exteriores.** La utilización de un cable de prolongación adecuado para su uso en exteriores reduce el riesgo de una descarga eléctrica.

f) **Si fuese imprescindible utilizar la herramienta eléctrica en un entorno húmedo, es necesario conectarla a través de un fusible diferencial.** La aplicación de un fusible diferencial reduce el riesgo a exponerse a una descarga eléctrica.

3 SEGURIDAD DE PERSONAS

a) **Esté atento a lo que hace y emplee la herramienta eléctrica con prudencia. No utilice la herramienta eléctrica si estuviese cansado, ni tampoco después de haber consumido alcohol, drogas o medicamentos.** El no estar atento durante el uso de una herramienta eléctrica puede provocarle serias lesiones.

b) **Utilice un equipo de protección y en todo caso unas gafas de protección.** El riesgo a lesionarse se reduce considerablemente si, dependiendo del tipo y la aplicación de la herramienta eléctrica empleada, se utiliza un equipo de protección adecuado como una mascarilla antipolvo, zapatos de seguridad con suela antideslizante, casco, o protectores auditivos.

c) **Evite una puesta en marcha fortuita del aparato. Cerciorarse de que el aparato esté desconectado antes conectarlo a la toma de corriente.** Si transporta el aparato sujetándolo por el interruptor de conexión/desconexión, o si introduce el enchufe

en la toma de corriente con el aparato conectado, ello puede dar lugar a un accidente.

d) **Retire las herramientas de ajuste o llaves fijas antes de conectar la herramienta eléctrica.** Una herramienta o llave colocada en una pieza rotante puede producir lesiones al ponerse a funcionar.

e) **Sea precavido. Trabaje sobre una base firme y mantenga el equilibrio en todo momento.** Ello le permitirá controlar mejor la herramienta eléctrica en caso de presentarse una situación inesperada.

f) **Utilice ropa adecuada. No utilice ropa ancha ni objetos de joyería o bisutería. Mantenga el pelo y la ropa alejada de las piezas en movimiento.** La ropa suelta o el pelo largo pueden quedar atrapados por piezas en movimiento.

g) **Siempre que sea posible utilizar unos equipos de aspiración o captación de polvo, asegúrese que éstos estén montados y que sean utilizados correctamente.** El empleo de estos equipos reduce los riesgos derivados del polvo.

4 TRATO Y USO CUIDADOSO DE HERRAMIENTAS ELÉCTRICAS

a) **No sobrecargue el aparato. Use la herramienta prevista para el trabajo a realizar.** Con la herramienta adecuada podrá trabajar mejor y más seguro dentro del margen de potencia indicado.

b) **No utilice herramientas con un interruptor defectuoso.** Las herramientas que no se puedan conectar o desconectar son peligrosas y deben hacerse reparar.

c) **Saque el enchufe de la red antes de realizar un ajuste en el aparato, cambiar de accesorio o al guardar el aparato.** Esta medida preventiva reduce el riesgo a conectar accidentalmente el aparato.

d) **Guarde las herramientas fuera del alcance de los niños y de las personas que no estén familiarizadas con su uso.** Las herramientas utilizadas por personas inexpertas son peligrosas.

e) **Cuide sus aparatos con esmero. Controle si funcionan correctamente, sin atascarse, las partes móviles del aparato, y si existen partes rotas o deterioradas que pudieran afectar al funcionamiento de la herramienta. Si la herramienta eléctrica estuviese defectuosa haga repararla antes de volver a utilizarla.** Muchos de los accidentes se deben a aparatos con un mantenimiento deficiente.

f) **Mantenga los útiles limpios y afilados.** Los útiles mantenidos correctamente se dejan guiar y controlar mejor.

g) **Utilice herramientas eléctricas, accesorios, útiles, etc. de acuerdo a estas instrucciones y en la manera indicada específicamente para este aparato. Considere en ello las condiciones de trabajo y la tarea a realizar.** El uso de herramientas eléctricas para trabajos diferentes de aquellos para los que han sido concebidas puede resultar peligroso.

h) **Mantenga las empuñaduras secas, limpias y libres de aceite y grasa.** Las empuñaduras resbaladizas no permiten una manipulación y un control seguros de la herramienta eléctrica en situaciones inesperadas.

5 SERVICIO

a) **Únicamente haga reparar su herramienta eléctrica por un profesional, empleando exclusivamente piezas de repuesto originales.** Solamente así se mantiene la seguridad de la herramienta eléctrica.

Reglas de seguridad para cepillos

- **Espera a que el cortador se haya detenido antes de bajar la herramienta.** Un cortador al descubierto puede entrar en contacto con la superficie y provocar una pérdida de control con las lesiones consiguientes.
- **Sujete la herramienta eléctrica únicamente por las zonas de agarre aisladas, ya que el eje de la cuchilla podría entrar en contacto con algún cable de red.** El contacto con una conducción de corriente puede poner bajo tensión también las piezas metálicas de la máquina y provocar una descarga eléctrica.

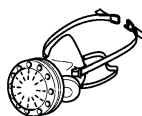
- **Utilice bridas u otro método similar para asegurar y sujetar la pieza de trabajo sobre una plataforma estable.** Si sujeta la pieza con la mano o la apoya contra el cuerpo, la pérdida de equilibrio puede hacerle perder el control.

Riesgos para la salud producidos por el polvo

⚠ADVERTENCIA Algunos polvos creados por lijadoras motorizadas, aserraderos, trituradores, perforadoras y otras actividades de construcción contienen sustancias químicas que se sabe (en el Estado de California) causan cáncer, defectos de nacimiento u otros daños al sistema reproductivo. Algunos ejemplos de estas sustancias químicas son:

- Plomo de las pinturas con base de plomo
- Sílice cristalino de los ladrillos y cemento y otros productos de mampostería, y
- Arsénico y cromo de madera tratada con sustancias químicas

El riesgo de exposición a estas sustancias varía, dependiendo de cuantas veces se hace este tipo de trabajo.



Para reducir el contacto con estas sustancias químicas: trabaje en un área con buena ventilación y trabaje con equipo de seguridad aprobado, como mascarillas para el polvo diseñadas específicamente para filtrar partículas microscópicas.

⚠ADVERTENCIA PARA REDUCIR EL RIESGO DE LESIÓN, EL USUARIO DEBE LEER EL MANUAL DE INSTRUCCIÓN.

Datos técnicos

Potencia	720 W
Velocidad	
(marcha en vacío)	15 600 r.p.m.
Ancho del cepillado	65 mm (2.56")
Profundidad de corte	0 - 4 mm (0" - 0.16")
Profundidad máxima de rebaje	23 mm (0.90")
Peso (sin cable)	2,4 kg (5.3 lbs)
Clase de protección	□ / II

Uso conforme a la destinación

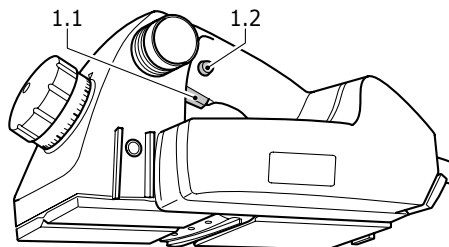
La máquina está prevista, en combinación con las herramientas ofrecidas por Festool, para cepillar madera, materiales plásticos blandos y materiales similares a la madera.

⚠ADVERTENCIA El usuario responde de los daños y accidentes que puedan derivarse de un uso no conforme a lo previsto.

Conexión eléctrica y puesta en funcionamiento

⚠ADVERTENCIA La tensión de la red debe coincidir con los datos que figuran en la placa indicadora de potencia.

Para conectar el cepillo, pulse primero el bloqueo de conexión (1.2) y active después el interruptor (1.1) (pulsar = conectado; soltar = desconectado).



como para evitar una pérdida excesiva de voltaje o que se produzca un sobrecalentamiento. Una pérdida excesiva de voltaje reduce el rendimiento y puede causar el fallo del motor. La tabla a lado indica el diámetro correcto del cable en función de la longitud del cable del cepillo EHL 65 E. Use sólo los alargadores U.L. y CSA que figuran en la relación. No utilice nunca dos alargadores juntos. Se recomienda usar un solo cable largo.

Longitud total del cable alargador (alimentación)	25	50	100	150
Dimensiones del cable (AWG)	18	16	12	10

Alargador

Si fuera necesario utilizar un alargador, éste deberá estar provisto de una sección transversal suficiente

i Observación:

Cuanto menor sea el número AWG, más fuerte será el cable.

Sistema electrónico

La máquina dispone de un sistema electrónico de onda plena con las siguientes características:

Arranque suave

El arranque suave proporciona una puesta en marcha de la máquina sin sacudidas.

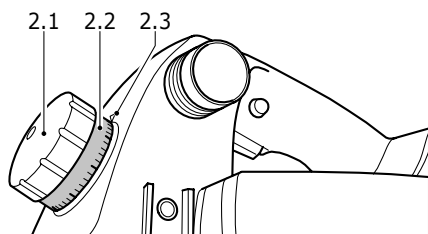
Revoluciones constantes

Las revoluciones preseleccionadas se mantendrán constantes con la marcha en vacío y durante el proceso de trabajo.

Dispositivo protector contra sobre-temperaturas

Cuando el motor alcanza una temperatura crítica, el sistema electrónico de seguridad desconecta la máquina para prevenir un sobrecalentamiento. Después de un tiempo de enfriamiento de aprox. 3-5 minutos, la máquina está preparada para volver a funcionar. Si la máquina está en marcha (marcha en vacío) el tiempo de enfriamiento se reduce.

Ajuste del grosor de corte



Girando el botón (2.1) se regula el espesor de viruta (girando a la derecha, la viruta es más gruesa;

girando a la izquierda, más fina). La marca (2.3) indica en la escala (2.2) del botón el espesor de viruta ajustado.

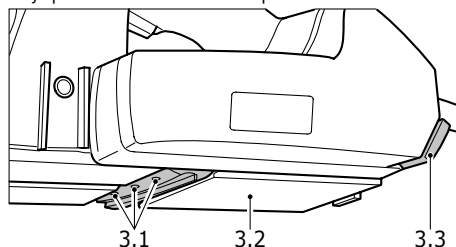
Variando 1 raya de la escala, cambia el espesor de viruta en 0,1 mm (0.004").

El espesor de viruta máximo es de 4 mm (0.15"). Para no sobrecargar la máquina, recomendamos no ajustar más de 2,5 mm (0.1") con una anchura de cepillado superior a 40 mm (1.57").

Cambio de la cuchilla del cepillo

⚠ ADVERTENCIA Sólo se pueden usar cuchillas afiladas y en buen estado. Las cuchillas romas aumentan el riesgo de que el cepillo salte hacia atrás y empeoran la calidad del trabajo.

⚠ ADVERTENCIA Antes de cambiar la cuchilla hay que desenchufar la máquina.

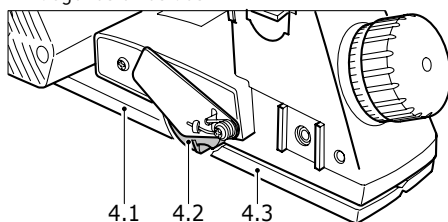


- Usando la llave (3.3), aflojar los tornillos de apriete (3.1) dándoles dos giros. Retirar después la cuchilla.

- Para poder poner la nueva cuchilla correctamente, primero hay que limpiar bien la ranura donde se aloja la cuchilla.

- Meter después la cuchilla nueva (488 503) en la ranura, de modo que la parte con las letras mire hacia la parte trasera de la zapata (3.2).

- Antes de apretar los tornillos (3.1), hay que nivelar la cuchilla con una regla o una guía, de modo que su parte delantera (4.2) quede alineada con los bordes de las zapatas delantera (4.3) y trasera (4.1). Apretar sólo entonces los tornillos de apriete: primero el de en medio, luego los otros dos.



Aspiración

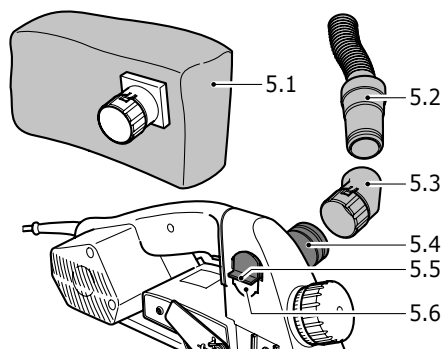
Al suministro de serie pertenecen algunos elementos que permiten usar el cepillo tanto con bolsa para virutas (5.1) (accesorio) (488566) como con el tubo flexible de aspiración (5.2) (accesorio) de un aspirador.

El empalme para el sistema de salida de virutas sirve para los dos sistemas. Para cambiar el lado de empalme, hay que apretar hacia abajo con fuerza el saliente (5.5). Así el tope en el perfil exterior de la carcasa deja de impedir que se pueda introducir el elemento de empalme (5.4) por la carcasa. Meta entonces la pieza de empalme con el saliente (5.6) hacia afuera por la abertura e introdúzcala hasta su tope.

En la tubuladura (5.4) se puede empalmar la bolsa para virutas (5.1) o el tubo de codo (5.3) en el que se aloja posterior-mente el empalme de un tubo flexible de aspiración (1.2). Girando el codo, se

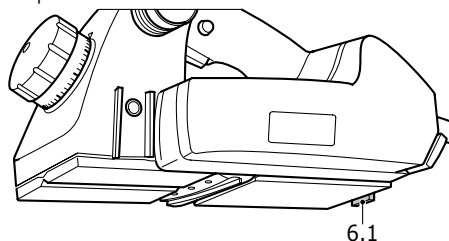
puede variar la dirección del vuelo de las virutas según se quiera.

La pieza de empalme de un tubo de 27 mm (1.05") de se mete en el codo (5.3). La pieza de empalme de un tubo de 36 mm (1.42") de se pone sobre el codo (5.3).



Poner el cepillo sobre una superficie

En el caso de los cepillos eléctricos hay que tener en cuenta que el árbol sigue girando todavía algunos segundos después de haberse desconectado el aparato.



Para poder depositarlo sin que se produzcan daños, el cepillo EHL 65 E tiene en la parte final

de la zapata un pie de apoyo (6.1). Si se levanta la herramienta eléctrica, el pie de apoyo sobresale lo suficientemente como para que, al apoyarse el cepillo sobre una superficie plana, el árbol pueda girar libremente.

⚠ ADVERTENCIA Tenga en cuenta también estos dos puntos al poner el EHL 65 E sobre una superficie:

- Asegúrese de que el pie de apoyo funciona bien,
- espere a que se detenga el árbol antes de poner el cepillo.

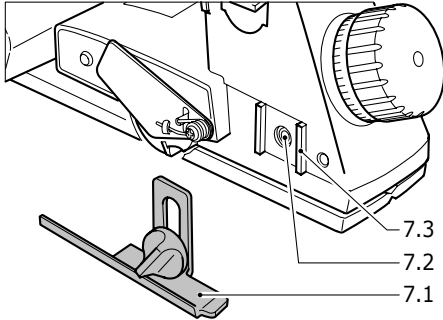
Si, por precisar lo algún trabajo especial, el pie de apoyo no debe sobresalir, puede bloquearse en su posición superior si se desliza a un lado.

Montaje de los topes

Tope de profundidad de rebaje (488543)

El tope de profundidad de rebaje (7.1) se fija en el agujero roscado (7.2) que hay en la parte derecha del aparato.

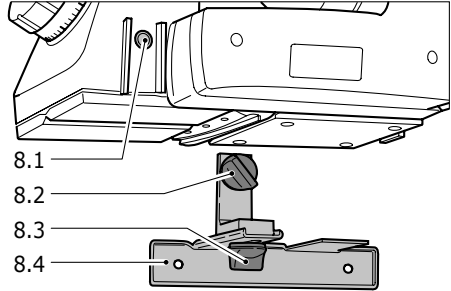
Se puede regular en escala de 0 mm a 23 mm (0.9"). La profundidad ajustada puede verse en la marca de la acanaladura (7.3).



Tope paralelo

El tope paralelo (8.4) se sujeta con un botón giratorio (8.2) en el agujero roscado (8.1) que hay en el lado izquierdo del aparato.

Al cepillar a lo largo de un canto, se puede ajustar con el cepillo una anchura de cepillado de 0 mm a 65 mm (2.56") soltando la sujeción (8.3).

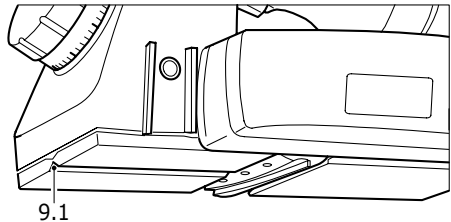


Trabajando con el cepillo

- La superficie a cepillar no debe contener metal.
- Ajustar el grosor de corte deseado.
- Poner la zapata delantera del cepillo sobre la pieza a cepillar sin que se toque la pieza con el cabezal.
- Poner en marcha el cepillo.
- Mover el cepillo sobre la superficie de modo que la zapata descansa de modo plano sobre la pieza. Al comenzar a cepillar, hacer fuerza sobre la zapata delantera. Al repasar, hacer fuerza sobre la zapata trasera.

Biselando

Para biselar cantos, la zapata delantera está dotada de una ranura con forma de V en ángulo de 90° (9.1). Esta ranura en V tiene 2 mm (0.08") de profundidad, de modo que, ajustando un grosor de corte 0, se redondea unos 2 mm (0.08").



Accesorios, herramientas

⚠ADVERTENCIA Por razones de seguridad, utilice únicamente accesorios y herramientas Festool originales.


Festool le ofrece un completo surtido de accesorios para su cepillo.

El número de pedido de los accesorios y las herramientas figura en el catálogo Festool o en Internet en www.festoolusa.com.


Systainer

Muchos de los productos Festool se entregan en un embalaje exclusivo denominado "Systainer" que sirve de protección a la herramienta y sus complementos, además de facilitar su almacenamiento. Los Systainer pueden apilarse y encajan unos con otros. Además se adaptan sin problema a cualquier aparato de aspiración CT de Festool.



Para abrir el Systainer:

- Gire el T-loc (10.1) a la posición .

Para cerrar el Systainer:

- Gire el T-loc (10.1) a la posición .

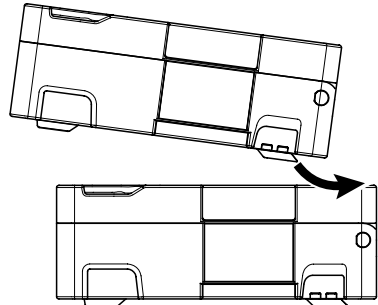
Para encajar dos Systainer:

- Ponga el Systainer sobre un otro (Fig. 10 A).
- Gire el T-loc (10.1) a la posición  o  (Fig. 10 B).

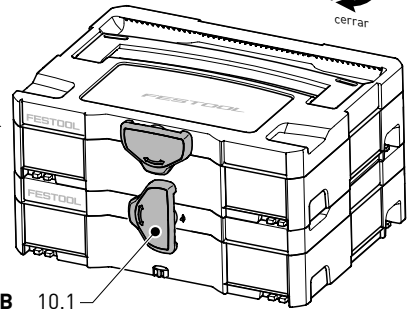
Los Systainers están encajados y cerrados.

- ▶ Un Systainer de la nueva generación es encajable encima de un Systainer de la generación anterior con los cuatro enganches del Systainer anterior.

10



A



B

10.1

Servicio y mantenimiento

⚠ADVERTENCIA Cualquier trabajo de mantenimiento o reparación que requiera abrir el motor o la carcasa del engranaje deberá ser realizado únicamente por un Centro de Atención al Cliente (nombre proporcionado por su concesionario). Los trabajos de mantenimiento o reparación realizados por una persona no autorizada podrían provocar la conexión incorrecta de los conductores de alimentación u otros componentes, lo que a su

vez podría provocar accidentes con consecuencias graves.

⚠ADVERTENCIA Para prevenir los accidentes, antes de realizar cualquier trabajo de mantenimiento o reparación en la máquina retire siempre el enchufe de la toma de corriente. No utilice aire a presión para limpiar las herramientas eléctricas. No intente limpiar las partes internas de la máquina de este modo, ya que podría permitir la entrada

de objetos extraños a través de las aperturas de la carcasa de la máquina.

⚠PRECAUCION Algunos productos de limpieza y disolventes resultan perjudiciales para las piezas de plástico. Entre otros, se incluyen: gasolina, cloruro de carbonilo, soluciones de limpieza que contengan cloro, amoniaco y productos de limpieza domésticos con amoniaco.

- Para garantizar la circulación de aire, los ventiladores de aire frío de la carcasa del motor

deberán conservarse siempre limpios y despejados.

- Esta unidad está equipada con unos cepillos de carbón especiales que se desconectan automáticamente. Cuando se desgastan, la corriente se apaga automáticamente, y con ella la unidad. En este caso, lleve la unidad a un Centro de Atención al Cliente para que cambien los cepillos de carbón.

Garantía

Condiciones de la Garantía 1 + 2

Usted tiene derecho a una garantía extendida gratuita (1 año + 2 años = 3 años) para su nueva herramienta mecánica Festool comprada en compra en un vendedor autorizado. Festool se hará responsable por los gastos de envío durante el primer año de garantía. Durante el segundo y tercer año de garantía el cliente es responsable por el costo del envío de la herramienta a Festool. Festool pagará el embarque de regreso al cliente usando UPS Ground Service. Todo el servicio de garantía es válido por 3 años desde la fecha de la compra de acuerdo a la fecha de su recibo o factura de compra.

Garantía limitada de Festool

Esta garantía es válida con la condición previa de que la herramienta se usa y opera de conformidad con las instrucciones de operación de Festool. Festool garantiza, sólo al comprador original, que la herramienta especificada estará libre de defectos de fabricación y materiales durante un periodo de un año a partir de la fecha de compra. Festool no otorga otras garantías, ni explícitas ni implícitas para ninguna de las herramientas mecánicas portátiles Festool. Ningún agente, representante, distribuidor, comerciante o empleado de Festool está autorizado para extender o modificar de cualquier manera las obligaciones o limitaciones de esta garantía. Las obligaciones de Festool, a su propia entera discreción, están limitadas a la reparación o sustitución de cualquier herramienta portátil Festool que se encuentre estar defectuosa en el momento de ser embalada junto con el manual de usuario.

Quedan excluidos de la cobertura en esta garantía: el desgaste normal; los daños causados por uso indebido, el abuso o negligencia; los daños

causados por cualquier otra causa que no sean defectos del material o de la fabricación. Esta garantía no aplica a accesorios como cuchillas de sierras circulares, brocas de taladro, barrenas de buriladora, cuchillas de sierra, cuchillas para sierras de calado, correas de lijadoras y ruedas de esmeril. También se excluyen las "partes que se desgastan" como cepillos de carbón, laminillas de herramientas de aire, collarines de hule y sellos, discos y cojines de lijado, y baterías.

Las herramientas mecánicas portátiles Festool que requieran de reemplazo o reparación deben devolverse con el recibo de compra a Festool (vea www.festoolusa.com o llame al 888-337-8600 para los detalles de la dirección).

EN NINGÚN CASO FESTOOL SE HARÁ RESPONSABLE POR LOS DAÑOS SECUNDARIOS O CONSECUENTES OCASIONADOS POR LA VIOLACIÓN DE ESTA O CUALQUIER OTRA GARANTÍA, SEA EXPLÍCITA O IMPLÍCITA. TODAS LAS GARANTÍAS IMPLICADAS POR LEYES ESTATALES, INCLUYENDO LAS GARANTÍAS IMPLICADAS DE COMERCIALIZACIÓN Y ADECUACIÓN A UN PROPÓSITO PARTICULAR, QUEDAN LIMITADAS A TRES AÑOS DE DURACIÓN.

Algunos estados de EE.UU. y algunas provincias de Canadá no permiten las limitaciones en cuanto a la duración de las garantías implícitas, de modo que la limitación arriba indicada puede que no le afecte. A excepción de algunas garantías implícitas por leyes estatales o provinciales, limitadas por la presente, la anteriormente citada garantía, expresamente limitada, es exclusiva y sustituye a cualquier otra garantía, acuerdo u obligación similar de Festool.

Esta garantía le concede derechos legales específicos y usted podría tener otros derechos legales que varían de estado a estado en EE.UU. y de provincia a provincia en Canadá.